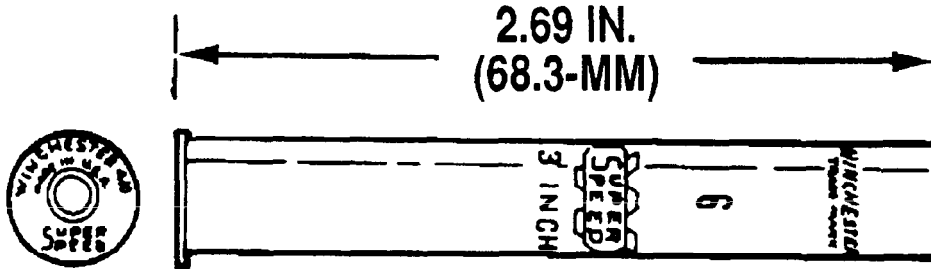


CHAPTER 2
SHOTGUN CARTRIDGES

CARTRIDGE, .410, SHOTGUN, NO. M35



**U
AR 5886**

Type Classification:

OBS - MSR 11756003.

Use:

Rifle/Shotgun, Caliber .22/.410 Bore, Survival, M6. The cartridge is intended for use in survival weapons against small game.

Description:

The cartridge case is all aluminum, and is loaded with smokeless powder and No. 6 copper-coated lead shot.

Tabulated Data:

DODAC	1305-A055
UNO serial number	0012
UNO proper shipping name	Cartridges for weapons, inert projectile
Weight	430 gr
Length	2.69 in. (68.3 mm)
Tracer	NA
Primer	Percussion
Fuze	NA

Explosive:

Type..... NA
Weight..... NA

Incendiary:

Type..... NA
Weight..... NA

Propellant:

Type..... Smokeless powder
Weight..... 7 gr

Performance:

Chamber pressure 13,000 psi
Velocity 960 fps, 3 ft from muzzle

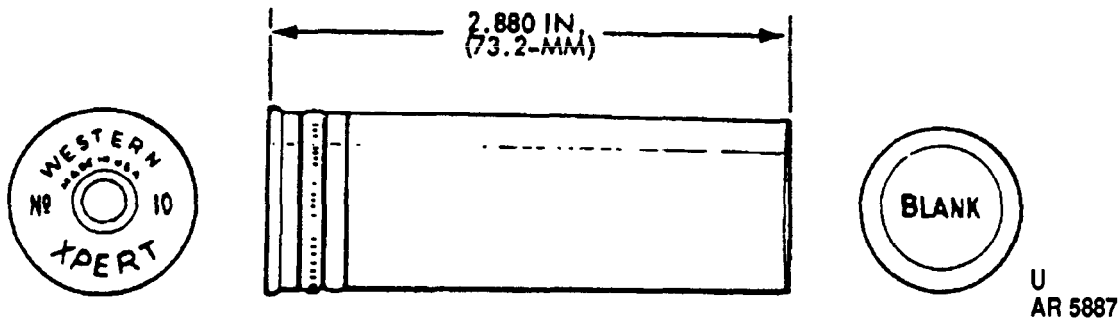
Shipping and Storage Data:

Quantity-distance class/SCG	1.4S
Storage code	Class V
DOT shipping class	C
DOT designation	SMALL ARMS AMMUNITION
Drawing number	7553403

References:

SB 700-20
TM 9-1300-206

. CARTRIDGE, 10 GAGE, SHOTGUN, BLANK



Type Classification:

STD - OTCM 36524.

Use:

This is an optional use item for reveille and retreat salutes, and is fired in the 3-inch gun, 75mm gun, 75mm howitzer, or 105mm howitzer.

Description:

The cartridge is similar to standard shotgun cartridges but it contains no lead shot. It has a paper cartridge case. The forward closing disc is marked "BLANK."

Function:

The cartridge is designed to produce a noise when initiated. It is used as a salute item in large caliber weapons. The blank is inserted either in a prepared cartridge case or in a breech block of the weapon being used.

Tabulated Data:

DODAC ----- 1305-A010
 UNO serial number ----- 0014
 UNO proper shipping
 name ----- Cartridges for
 weapons, blank
 Weight ----- 290 gr

Length ----- 2.88 in. (73.2 mm)
 Tracer ----- NA
 Primer ----- Percussion
 Fuze ----- NA
 Explosive:
 Type ----- NA
 Weight ----- NA
 Incendiary:
 Type ----- NA
 Weight ----- NA
 Propellant:
 Type ----- Black powder
 Weight ----- 8 g

Performance:

Chamber pressure ----- NA
 Velocity ----- NA

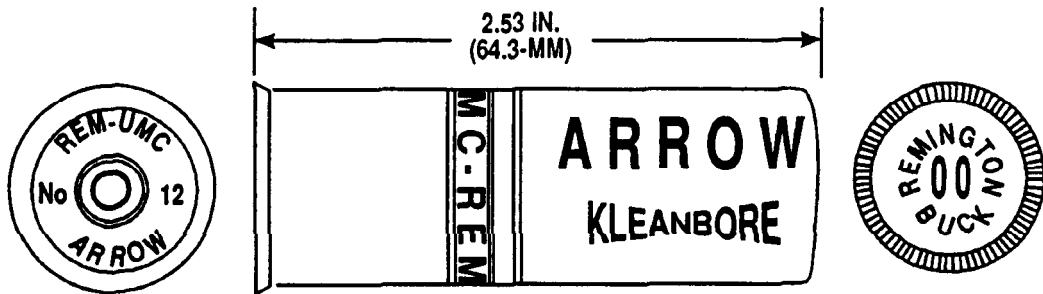
Shipping and Storage Data:

Quantity-distance class/
 SCG ----- 1.4S
 Storage code ----- Class V
 DOT shipping class ----- C
 DOT designation ----- SMALL ARMS
 AMMUNITION
 Drawing number ----- 10524632

References:

SB 700-20
 TM 9-1300-206

CARTRIDGE, 12 GAGE, SHOTGUN, NO. 00



U
AR 5892

Type Classification:

STD - OTCM 36841.

Use:

Military issue shotgun, 2-3/4 inch chamber. The cartridge is intended for guard and combat use.

Description:

The cartridge case is paper, and is loaded with smokeless powder and No. 00 commercial shot.

Tabulated Data:

DODAC-----	1305-A011
UNO serial number -----	0012
UNO proper shipping name -----	Cartridges for weapons, inert projectile
Weight -----	791 gr
Length -----	2.53 in. (64.3 mm)
Tracer-----	NA
Primer -----	Percussion
Fuze -----	NA

Explosive:

Type----- NA
Weight----- NA

Incendiary:

Type----- NA
Weight----- NA

Propellant:

Type----- Smokeless powder
Weight----- MBR

Performance:

Chamber pressure ----- 11,000 psi
Velocity ----- 1325 fps, 3 ft from muzzle

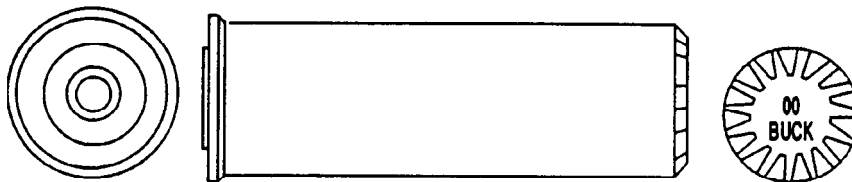
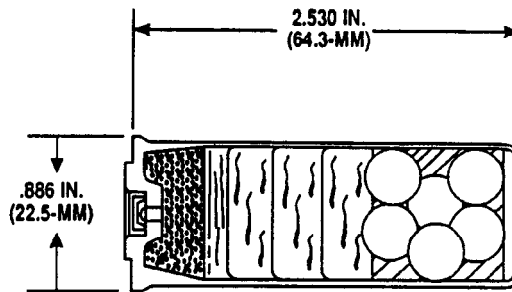
Shipping and Storage Data:

Quantity-distance class/SCG -----	1.4S
Storage code -----	Class V
DOT shipping class -----	C
DOT designation -----	SMALL ARMS AMMUNITION
Drawing number -----	7553929

References:

SB 700-20
TM 9-1005-303-14
TM 9-1300-206

CARTRIDGE, 12 GAGE, SHOTGUN, NO. 00, M162



U
AR 5891

Type Classification:

LP - OTCM 38036.

Use:

Military issue shotgun, 2-3/4 inch chamber. The cartridge is intended for guard and combat use.

Description:

The cartridge case is all plastic, and is loaded with smokeless powder and No. 00 commercial shot.

Tabulated Data:

DODAC ----- 1305-A011
 UNO serial number ----- 0012
 UNO proper shipping
 name ----- Cartridges for
 weapons, inert
 projectile
 Weight ----- 0.736 gr

Length ----- 2.53 in. (64.3 mm)
 Tracer ----- NA
 Primer ----- Percussion
 Fuze ----- NA
 Explosive:
 Type ----- NA
 Weight ----- NA
 Incendiary:
 Type ----- NA
 Weight ----- NA
 Propellant:
 Type ----- Smokeless powder
 Weight ----- MBR

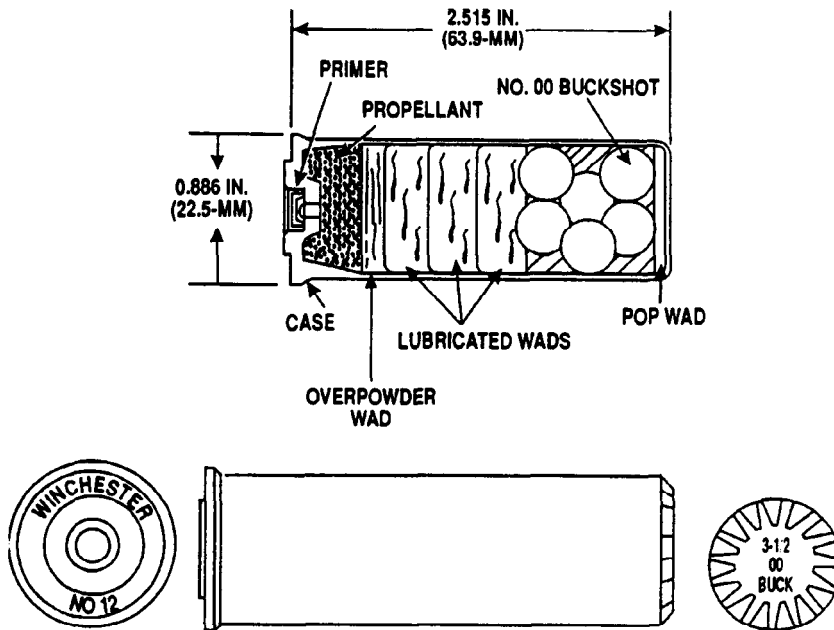
Performance:

Chamber pressure ----- 11,000 psi
 Velocity ----- 1325 fps, 3 ft from
 muzzle

Shipping and Storage Data:

Quantity-distance class/
 SCG ----- 1.4S
 Storage code ----- Class V

.CARTRIDGE, 12 GAGE, SHOTGUN, NO. M19



U
AR 5888

Type Classification:

STD - OTCM 36841.

Use:

Military issue shotgun, 2-3/4 inch chamber. The cartridge is intended for guard and combat use.

Description:

The cartridge case is all brass, and is loaded with smokeless powder and No. 00 commercial shot.

Tabulated Data:

DODAC----- 1305-A011
 UNO serial number ----- 0012
 UNO proper shipping
 name ----- Cartridges for
 weapons, inert
 projectile
 Weight ----- 930 gr

Length ----- 2.515 in. (63.9
 mm)
 Tracer----- NA
 Primer ----- Percussion
 Fuze ----- NA
 Explosive:
 Type----- NA
 Weight----- NA
 Incendiary:
 Type----- NA
 Weight----- NA
 Propellant:
 Type----- Smokeless powder
 Weight----- 26 gr

Performance:

Chamber pressure ----- 11,000 psi
 Velocity ----- ,1125 fps, 3 ft from
 muzzle

Shipping and Storage Data:

Quantity-distance class/
 SCG ----- 1.4S
 Storage code ----- Class V

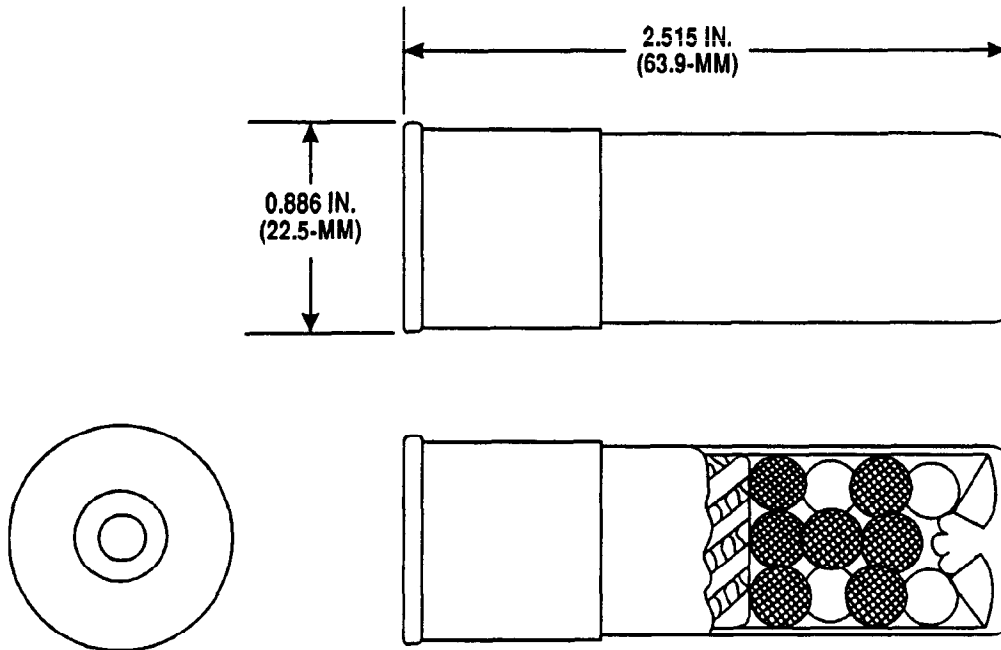
TM 43-0001-27

DOT shipping class -----, C
DOT designation ----- SMALL ARMS
Drawing number ----- AMMUNITION
7640981

References:

SB 700-20
TM 9-1005-303-14
TM 9-1300-206

CARTRIDGE, 12 GAGE, SHOTGUN, NO. M257



U
AR 5889

Type Classification:

Terminated - MSR 08752013.

Use:

Military issue shotgun, 20-inch full choke barrel. The cartridge is intended for guard duty and for riot control weapons.

Description:

The cartridge case is plastic, and is loaded with smokeless powder and No. 4 hard lead anti-mony pellets.

Tabulated Data:

DODAC----- 1305-A011
 UNO serial number ----- 0012
 UNO proper shipping
 name ----- Cartridges for
 weapons, inert
 projectile
 Weight ----- 748 gr

Length----- 2.515 in.
 (63.9 mm)
 Tracer----- NA
 Primer----- Percussion
 Fuze ----- NA
 Explosive:
 Type----- NA
 Weight----- NA
 Incendiary:
 Type----- NA
 Weight----- NA
 Propellant:
 Type----- Smokeless powder
 Weight----- MBR

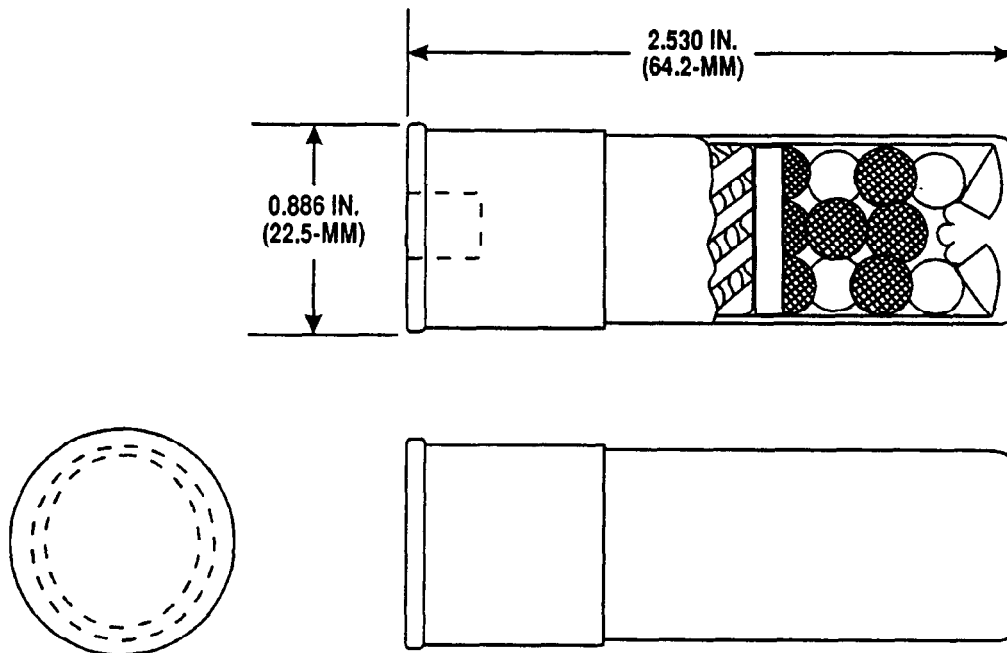
Performance:

Chamber pressure ----- 11,000 psi
 Velocity ----- 1335 fps, 3 ft from
 muzzle

Shipping and Storage Data:

Quantity-distance class/
 SCG ----- 1.4S
 Storage code ----- Class V

CARTRIDGE, 12 GAGE, SHOTGUN, NO. M274



U
AR 5890

Type Classification:

OBS - MSR 11756003.

Use:

Military issue, riot-type shotgun, 20-inch barrel cylinder bore. The cartridge is intended for use against small game and for riot control weapons.

Description:

The cartridge case may be paper or plastic, and is loaded with smokeless powder and No. 4 hard chilled shot.

Tabulated Data:

DODAC----- 1305-A011
 UNO serial number ----- 0012
 UNO proper shipping
 name ----- Cartridges for
 weapons, inert
 projectile

Weight ----- 740 gr
 Length ----- 2.53 in. (64.2 mm)
 Tracer----- NA
 Primer----- Percussion
 Fuze ----- NA
 Explosive:
 Type----- NA
 Weight----- NA
 Incendiary:
 Type----- NA
 Weight----- NA
 Propellant:
 Type----- Smokeless powder
 Weight----- MBR

Performance:

Chamber pressure ----- 11,000 psi
 Velocity ----- 1255 fps, 3 ft from
 muzzle

Shipping and Storage Data:

Quantity-distance class/
 SCG ----- 1.4S
 Storage code ----- Class V

