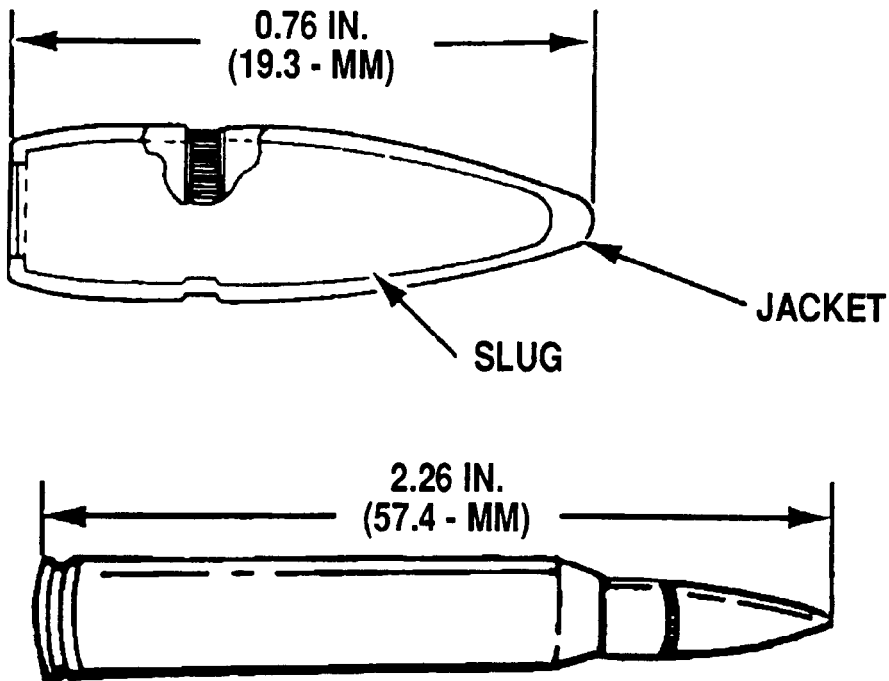


**CHAPTER 10**  
**5.56MM CARTRIDGES**

**CARTRIDGE, 5.56MM, BALL, M193**



**U  
AR 5945**

**Type Classification:**

STD - AMCTC 5143.

**Use:**

Rifles, 5.56mm, M16 and M16A1. The cartridge is intended for use against personnel and unarmored targets.

**Description:**

BALL Cartridge. The cartridge is identified by a plain bullet tip.

**Tabulated Data:**

DODAC----- 1305-A066  
 UNO serial number ----- 0012  
 UNO proper shipping  
 name----- Cartridges for  
 weapons, inert pro-  
 jectile  
 Weight ----- 182 gr  
 Length----- 2.26 in. (57.4 mm)  
 Tracer----- NA

Primer----- Percussion  
 Fuze----- NA  
 Explosive:  
 Type ----- NA  
 Weight----- NA  
 Incendiary:  
 Type ----- NA  
 Weight----- NA  
 Propellant:  
 Type ----- WC 844 or  
 CMR 170  
 Weight----- 28.5 or 26.5 gr  
 Projectile:  
 Weight----- 56 gr

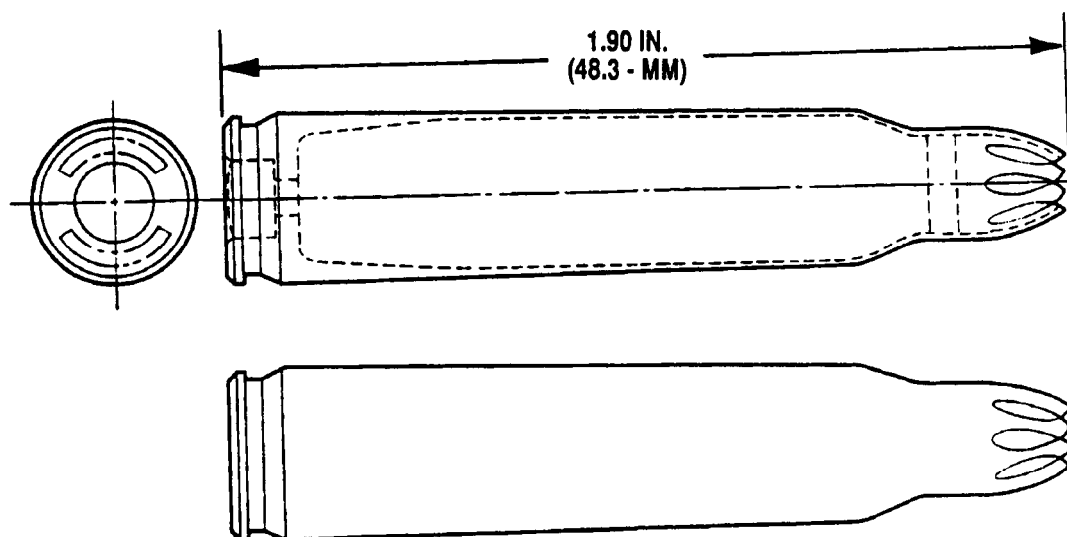
**Performance:**

Chamber pressure ----- 52,000 psi  
 Velocity----- 3250 fps, 15 ft from  
 muzzle

**Shipping and Storage Data:**

Quantity-distance class/  
 SCG----- 1.4S  
 Storage code ----- Class V

**CARTRIDGE, 5.56MM, GRENADE, M195**



U  
AR 5947

**Type Classification:**

STD - AMCTC 6919.

**Use:**

Rifles, 5.56mm, M16 and M16A1.

**Description:**

**GRENADE** Cartridge. The cartridge is identified by a rose-petal (rosette-crimp) closure of the cartridge case mouth sealed with red lacquer.

**Function:**

The cartridge provides pressure, on functioning, to project grenades to a desired target using a grenade projection adapter.

**Tabulated Data:**

DODAC----- 1330-G841  
 UNO serial number ----- 0014  
 UNO proper shipping  
 name----- Cartridges for  
 weapons, blank

Weight ----- 126 gr  
 Length----- 1.9 in. (48.3 mm)  
 Tracer----- NA  
 Primer ----- Percussion  
 Fuze ----- NA  
 Explosive:  
   Type ----- NA  
   Weight----- NA  
 Incendiary:  
   Type ----- NA  
   Weight----- NA  
 Propellant:  
   Type ----- IMR 4475  
   Weight----- 25 gr

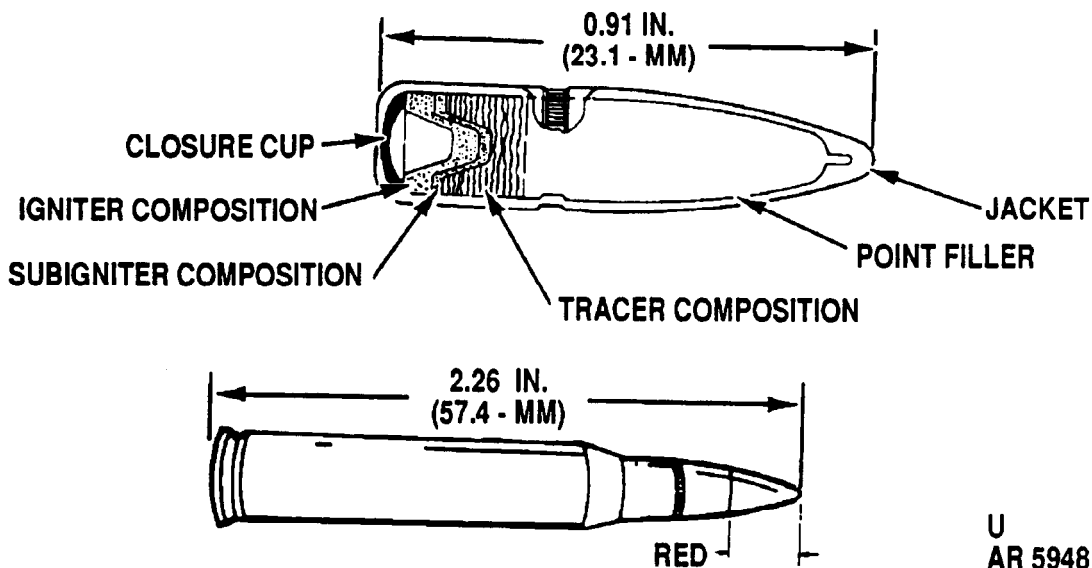
**Performance:**

Chamber pressure ----- NA  
 Velocity----- 140 to 165 fps, 5 ft  
 6 in. from muzzle  
 for projected gre-  
 nade

**Shipping and Storage Data:**

Quantity-distance class/  
 SCG ----- 1.4S  
 Storage code ----- Class V

**CARTRIDGE, 5.56MM, TRACER, M196**



U  
AR 5948

**Type Classification:**

STD - AMCTC 5055.

**Use:**

Rifles, 5.56mm, M16 and M16A1. The tracer is intended to permit visible observation of the bullet's in-flight path or trajectory to the point of impact.

**Description:**

TRACER Cartridge. The cartridge is identified by a red bullet tip.

**Tabulated Data:**

DODAC----- 1305-A068  
 UNO serial number ----- 0012  
 UNO proper shipping name----- Cartridges for weapons, inert projectile  
 Weight ----- 177 gr  
 Length----- 2.26 in. (57.4 mm)  
 Tracer----- R284  
 Primer----- Percussion  
 Fuze ----- NA  
 Explosive:  
 Type ----- NA  
 Weight----- NA

**Incendiary:**

Type ----- NA  
 Weight ----- NA

**Propellant:**

Type ----- WC 844 or IMR 8208M  
 Weight ----- 28.5 gr, 25.3 gr or CMR 170, 26.5 gr

**Projectile:**

Weight ----- .54 gr

**Performance:**

Chamber pressure ----- 52,000 psi  
 Velocity ----- 3200 fps, 15 ft from muzzle

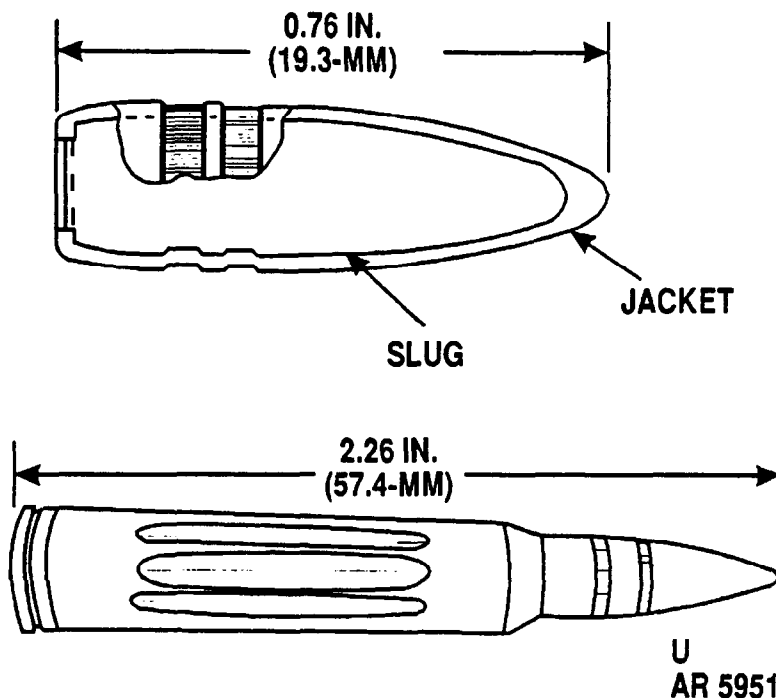
**Shipping and Storage Data:**

Quantity-distance class/  
 SCG ----- 1.4S  
 Storage code ----- Class V  
 DOT shipping class ----- C  
 DOT designation ----- SMALL ARMS AMMUNITION  
 Drawing number ----- 10534193

**References:**

SB 700-20  
 TM 9-1005-249-10  
 TM 9-1300-206

**CARTRIDGE, DUMMY, 5.56MM, M199**



**Type Classification:**

STD - AMCTC 4662.

**Use:**

Rifles, 5.56mm, M16 and M16A1. The cartridge is used for practice in loading 5.56mm weapons, for simulated firing to detect flinching of personnel when firing, and for inspecting and testing the weapon mechanisms.

**Description:**

**DUMMY** Cartridge. The cartridge is identified by six longitudinal corrugations (flutings) in the cartridge case and there is no primer.

**Tabulated Data:**

DODAC----- 1305-A060  
 Weight ----- 150 gr  
 Length----- 2.26 in. (57.4 mm)  
 Tracer----- NA  
 Primer----- NA  
 Fuze ----- NA  
 Explosive:  
 Type ----- NA  
 Weight----- NA

**Incendiary:**

Type ----- NA  
 Weight----- NA

**Propellant:**

Type ----- NA  
 Weight----- NA

**Performance:**

Chamber pressure ----- NA  
 Velocity ----- NA

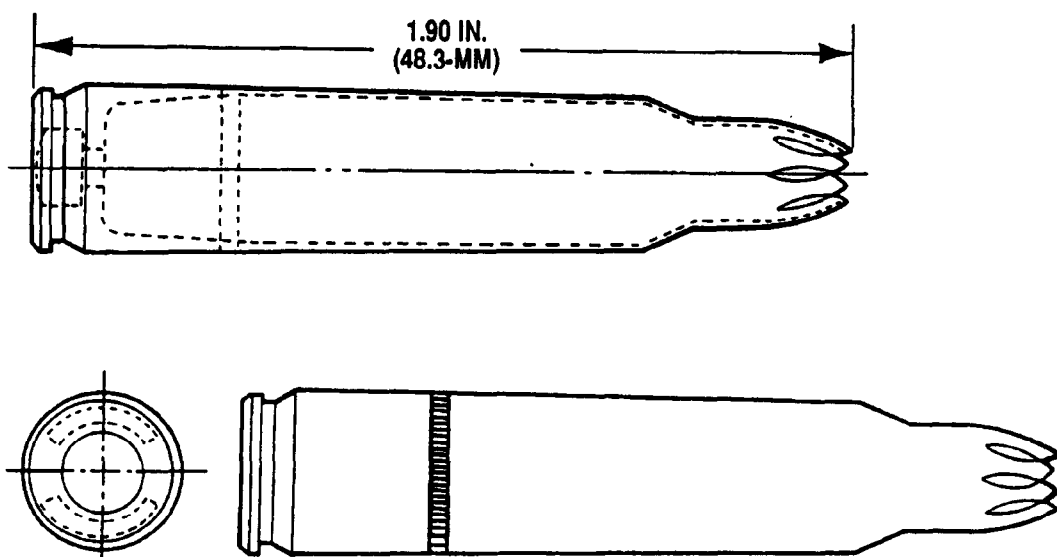
**Shipping and Storage Data:**

Quantity-distance class/  
 SCG ----- NA  
 Storage code ----- NA  
 DOT shipping class ----- NA  
 DOT designation ----- NONEXPLOSIVE  
 AMMUNITION  
 Drawing number ----- 10534021

**References:**

SB 700-20  
 TM 9-1005-249-10  
 TM 9-1300-206

**CARTRIDGE, 5.56MM, BLANK, M200**



U  
AR 5952

**Type Classification:**

STD - AMCTC 5942.

**Use:**

Rifles, 5.56mm, M16 and M16A1. The cartridge is designed for simulated firing in training exercises and for saluting purposes.

**Description:**

**BLANK** Cartridge. The cartridge is identified by a rose-petal (rosette-crimp) closure of the cartridge case mouth. An engraved knurl is located 1/2 inch from the head of the cartridge case.

**Tabulated Data:**

DODAC----- 1305-A080  
 UNO serial number ----- 0014  
 UNO proper shipping  
 name----- Cartridges for  
 weapons, blank  
 Weight ----- 107 gr  
 Length----- 1.9 in. (48.3 mm)  
 Tracer----- NA

**Explosive:**

Type ----- NA  
 Weight ----- NA

**Incendiary:**

Type ----- NA  
 Weight ----- NA

**Propellant:**

Type ----- HPC 13  
 Weight ----- 7 gr

**Performance:**

Chamber pressure ----- NA  
 Velocity ----- NA

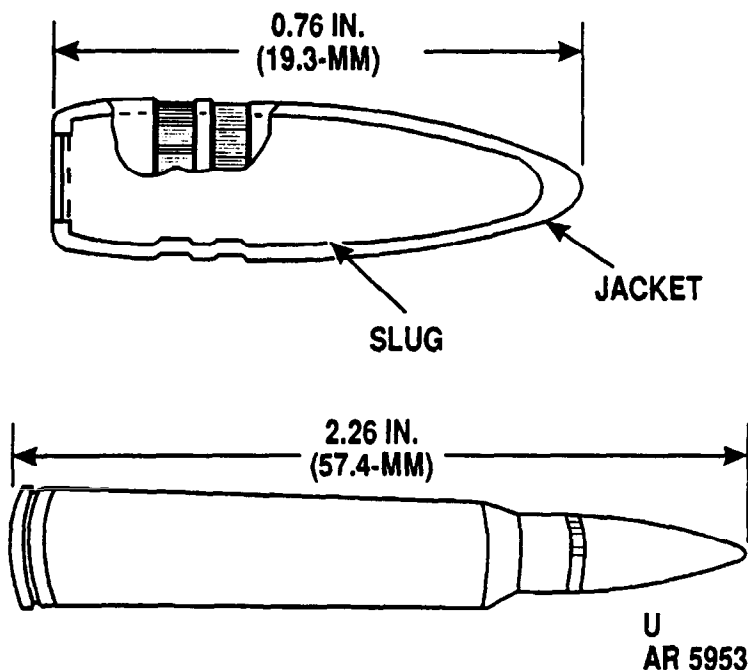
**Shipping and Storage Data:**

Quantity-distance class/  
 SCG ----- 1.4S  
 Storage code ----- Class V  
 DOT shipping class ----- C  
 DOT designation ----- SMALL ARMS  
 AMMUNITION  
 Drawing number ----- 10542379

**References:**

SB 700-20

**CARTRIDGE, DUMMY, 5.56MM, M232**



**Type Classification:**

STD - AMCTC 4485.

**Use:**

Rifles, 5.56mm, M16 and M16A1. The cartridge is an inert round used for testing the mechanisms of 5.56 weapons.

**Description:**

DUMMY Cartridge. The cartridge is identified by a black chemical finish over the entire round and by the absence of a primer.

**Tabulated Data:**

|              |                    |
|--------------|--------------------|
| DODAC.....   | 1305-A069          |
| Weight ..... | 161 gr             |
| Length.....  | 2.26 in. (57.4 mm) |
| Tracer.....  | NA                 |
| Primer.....  | NA                 |
| Fuze.....    | NA                 |
| Explosive:   |                    |
| Type .....   | NA                 |
| Weight.....  | NA                 |

**Incendiary:**

Type ..... NA  
 Weight..... NA

**Propellant:**

Type ..... NA  
 Weight..... NA

**Performance:**

Chamber pressure ..... NA  
 Velocity ..... NA

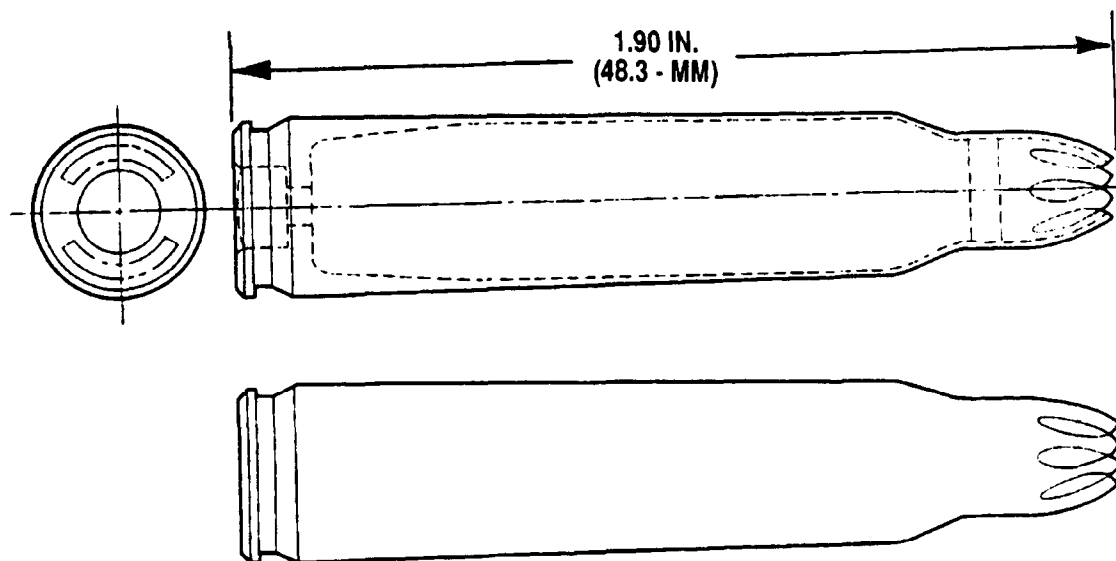
**Shipping and Storage Data:**

|                          |                            |
|--------------------------|----------------------------|
| Quantity-distance class/ |                            |
| SCG .....                | NA                         |
| Storage code .....       | NA                         |
| DOT shipping class.....  | NA                         |
| DOT designation .....    | NONEXPLOSIVE<br>AMMUNITION |
| Drawing number .....     | 10534146                   |

**References:**

SB 700-20  
 TM 9-1005-249-10  
 TM 9-1300-206

**CARTRIDGE, 5.56MM, BLANK, M755**



U  
AR 5954

**Type Classification:**

STD - MSR 04786005.

**Use:**

The M755 blank cartridge is especially designed for use with the Sting Ring Airfoil Munition System which consists of the M234 launcher and the 64mm riot control M743 projectile fired from the M16A1 rifle.

**Function:**

The blank cartridge is fed into the firing chamber. When fired, the primer ignites the propellant. The expanding propellant gases pass from the muzzle of the rifle into the launcher manifold. The projectile is ejected from the launcher barrel. The propellant charge is not sufficient to eject the cartridge case which must be ejected by pulling the charging handle of the rifle all the way back.

**Description:**

**BLANK Cartridge.** The cartridge is only for use with the M234 riot control 64mm projectile launcher. The launcher is attached to the flash suppressor of the M16A1 rifle and actuated by firing an M755 5.56mm blank cartridge. The M755 blank cartridge is the only cartridge that will give the projectile M743 the proper velocity. Use of other blank cartridges may damage the system.

**Tabulated Data:**

|             |                   |
|-------------|-------------------|
| DODAC-----  | TBA               |
| Weight----- | 112 gr            |
| Length----- | 1.9 in. (48.3 mm) |
| Tracer----- | NA                |
| Primer----- | Percussion        |
| Fuze-----   | NA                |
| Explosive:  |                   |
| Type-----   | NA                |
| Weight----- | NA                |
| Incendiary: |                   |
| Type-----   | NA                |
| Weight----- | NA                |
| Propellant: |                   |
| Type-----   | Hi Skor 700X      |
| Weight----- | 12 gr             |

The cartridge is loaded with 12 grains of Dupont Hi Skor 700X propellant closed with a seven petal nose crimp and moisture sealed. The crimped tips of the cartridge is painted with yellow lacquer for identification and thus lessen the chance of mixing them with the standard M16A1 rifle blank cartridges.



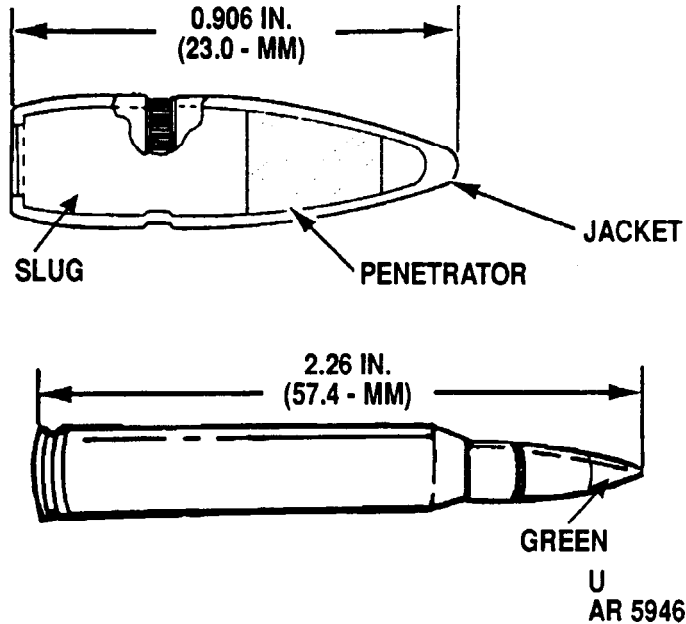
**Performance:**

Chamber pressure ..... NA  
Velocity ..... 172 to 198 fps  
Maximum range ..... 100 m

**Shipping and Storage Data:**

Quantity-distance class/  
SCG ..... 1.4S  
Storage code ..... Class I  
DOT shipping class ..... C  
DOT designation ..... SMALL ARMS  
AMMUNITION  
Drawing number ..... C122-3-43

**CARTRIDGE, 5.56MM, BALL, M855**



**Type Classification:**

STD - MSR 05826003.

**Use:**

Machine Gun, 5.56mm, M249E1; and Rifle, 5.56mm, M16A2. The cartridge is intended for use against personnel and unarmored targets.

**Description:**

BALL Cartridge. The cartridge is identified by a green bullet tip.

**Tabulated Data:**

DODAC----- 1305-A059  
 UNO serial number ----- 0012  
 UNO proper shipping name----- Cartridges for weapons, inert projectile  
 Weight ----- 190 gr  
 Length ----- 2.26 in. (57.4 mm)  
 Tracer----- NA  
 Primer ----- Percussion  
 Fuze ----- NA  
 Explosive: Type ----- NA

Weight----- NA  
 Incendiary: Type ----- NA  
 Weight----- NA  
 Propellant: Type ----- WC 844  
 Weight----- 26.1 gr  
 Projectile: Weight----- 62 gr

**Performance:**

Chamber pressure ----- 55,000 psi  
 Velocity ----- 3025 fps, 78 ft fr muzzle

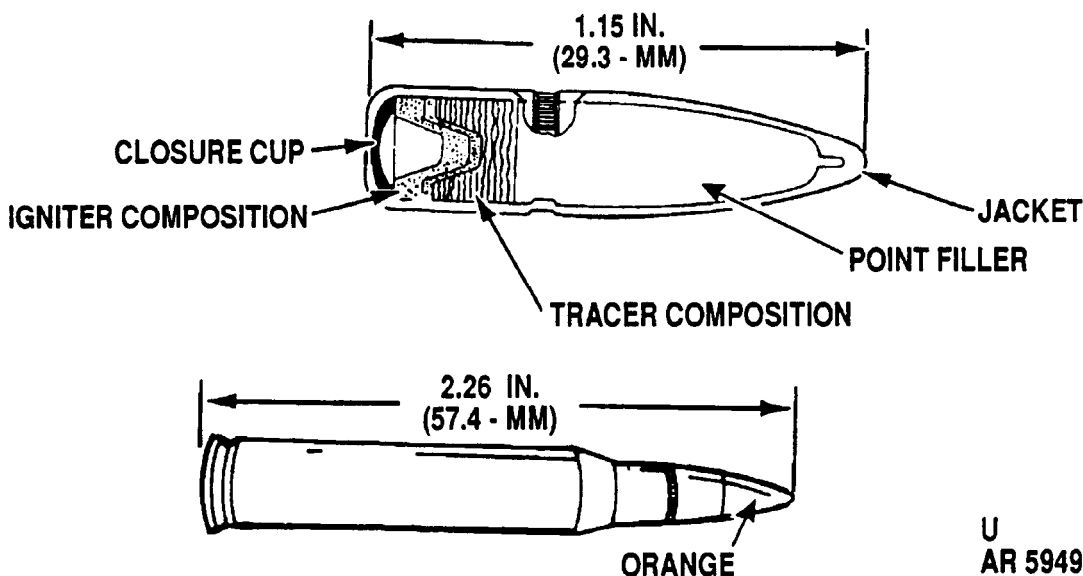
**Shipping and Storage Data:**

Quantity-distance class/  
 SCG ----- 1.4S  
 Storage code ----- Class V  
 DOT shipping class ----- C  
 DOT designation ----- SMALL ARMS AMMUNITION  
 Drawing number ----- 9342862

**References:**

DARCOM 700-3-2  
 TM 9-1300-206  
 TM 9-1305-201-20&P

**CARTRIDGE, 5.56MM, TRACER, M856**



U  
AR 5949

**Type Classification:**

STD - MSR 05826002.

**Use:**

Machine Gun, 5.56mm, M249E1; and Rifle, 5.56mm, M16A2. The tracer is intended to permit visible observation of the bullet's in-flight path or trajectory to the point of impact.

**Explosive:**

Type ----- NA  
Weight ----- NA

**Incendiary:**

Type ----- NA  
Weight ----- NA

**Propellant:**

Type ----- WC 844  
Weight ----- 24.7 gr

**Projectile:**

Weight ----- 63.7 gr

**Performance:**

Chamber pressure ----- 55,000 psi  
Velocity ----- 2870 fps, 78 ft from muzzle

**Description:**

TRACER Cartridge. The cartridge is identified by an orange bullet tip.

**Shipping and Storage Data:**

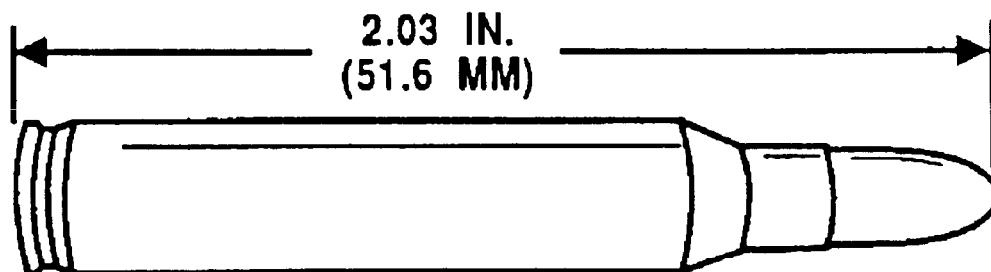
Quantity-distance class/  
SCG ----- 1.4S  
Storage code ----- Class V  
DOT shipping class ----- C  
DOT designation ----- SMALL ARMS  
AMMUNITION  
Drawing number ----- 9342863

**Tabulated Data:**

DODAC ----- 1305-A063  
UNO serial number ----- 0012  
UNO proper shipping  
name ----- Cartridges for  
weapons, inert pro-  
jectile  
Weight ----- 191 gr  
Length ----- 2.26 in. (57.4 mm)  
Tracer ----- NA  
Primer ----- Percussion  
Fuze ----- NA

**References:**

SB 700-20  
TM 9-1300-206

**CARTRIDGE, 5.56MM, PLASTIC, PRACTICE, M862**

**U**  
**AR 5955**

**Type Classification:**

STD - To be approved.

**Use:**

Rifles, 5.56mm, M16A1 and M16A2 with M2 Practice Bolt. The cartridge is for training in local and urban training areas where range restrictions preclude use of full range standard service ammunition.

**Description:**

PLASTIC Cartridge. The cartridge is identified by a blue plastic bullet.

**Tabulated Data:**

|                               |  |
|-------------------------------|--|
| DODAC-----                    | 1305-A065                                |
| UNO serial number -----       | 0012                                     |
| UNO proper shipping name----- | Cartridges for weapons, inert projectile |
| Weight -----                  | 108 gr                                   |
| Length-----                   | 2.03 in. (51.6 mm)                       |
| Tracer-----                   | NA                                       |
| Primer-----                   | Percussion                               |
| Fuze-----                     | NA                                       |

**Explosive:**

Type ----- NA  
Weight----- NA

**Incendiary:**

Type ----- NA  
Weight----- NA

**Propellant:**

Type ----- WPR 260  
Weight----- 8.7 gr

**Projectile:**

Weight----- 3.6 gr

**Performance:**

Chamber pressure ----- 15,750 psi  
Velocity----- 4525 fps, 15 ft from muzzle

**Shipping and Storage Data:**

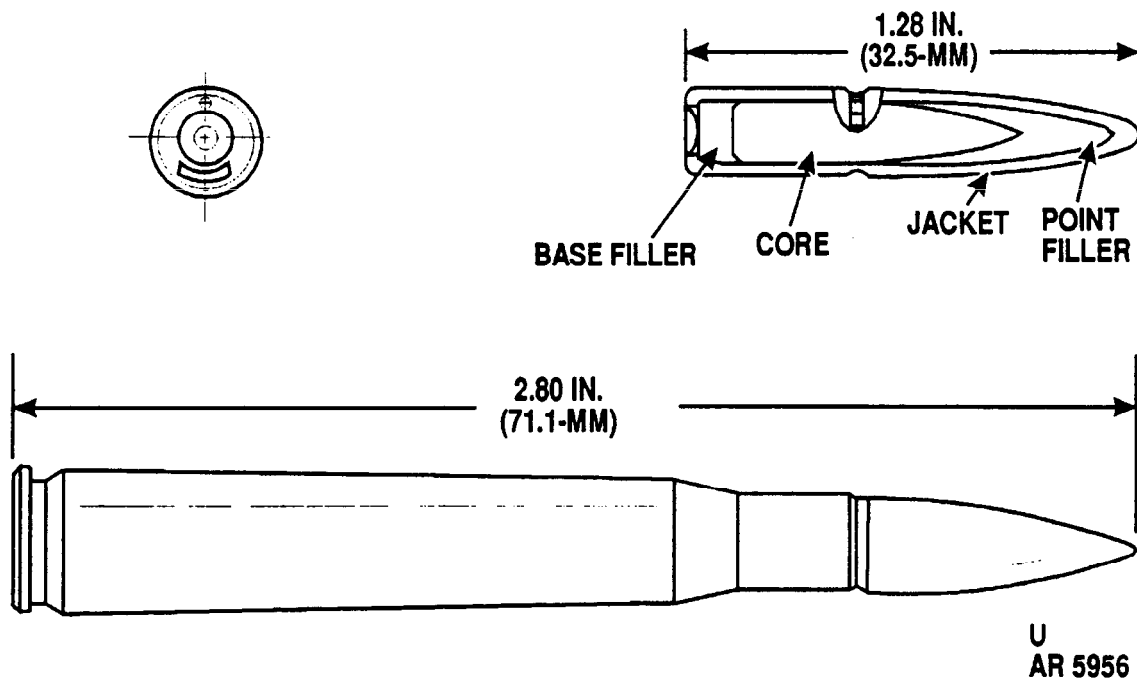
|                                   |                       |
|-----------------------------------|-----------------------|
| Quantity-distance class/SCG ----- | 1.4S                  |
| Storage code -----                | Class V               |
| DOT shipping class -----          | C                     |
| DOT designation -----             | SMALL ARMS AMMUNITION |
| Drawing number -----              | 12598589              |

**References:**

SB 700-20  
TM 9-1005-249-10  
TM 9-1300-206

**CHAPTER 11**  
**7.62MM CARTRIDGES**

**CARTRIDGE, 7.62MM, BALL, M59**



**Type Classification:**

STD - OTCM 36841.

**Use:**

Machine Guns, 7.62mm, M60 and M219; and Rifle, 7.62mm, M14. The cartridge is intended for use against personnel and unarmored targets.

**Description:**

BALL Cartridge. The cartridge is identified by a plain bullet tip.

**Tabulated Data:**

DODAC----- 1305-A143  
 UNO serial number ----- 0012  
 UNO proper shipping  
 name----- Cartridges for  
 weapons, inert pro-  
 jectile  
 Weight ----- 393 gr  
 Length----- 2.8 in. (71.1 mm)  
 Tracer----- NA  
 Primer ----- NA

Fuze----- NA  
 Explosive:  
 Type ----- NA  
 Weight----- NA  
 Incendiary:  
 Type ----- NA  
 Weight----- NA  
 Propellant:  
 Type ----- WC 846  
 Weight----- 46 gr  
 Projectile:  
 Weight----- 150.5 gr

**Performance:**

Chamber pressure ----- 50,000 psi  
 Velocity ----- 2750 fps, 78 ft from  
 muzzle

**Shipping and Storage Data:**

Quantity-distance class/  
 SCG ----- 1.4S  
 Storage code ----- Class V  
 DOT shipping class ----- C  
 DOT designation ----- SMALL ARMS  
 AMMUNITION  
 Drawing number ----- 7553702

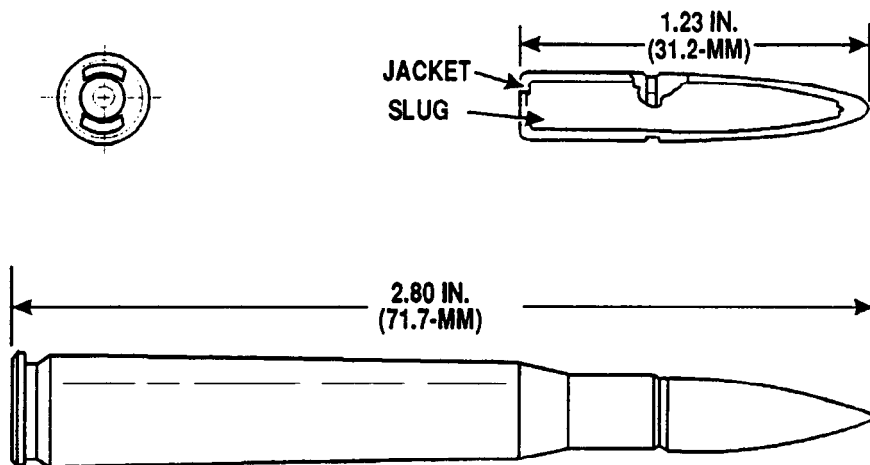
TM 43-0001-27

**References:**

SB 700-20  
TM 9-1005-223-10  
TM 9-1005-223-12P

TM 9-1005-224-10  
TM 9-1005-233-10  
TM 9-1005-298-12  
TM 9-1005-313-10  
TM 9-1300-206

**CARTRIDGE, 7.62MM, HIGH PRESSURE TEST, M60**



U  
AR 5957

**Type Classification:**

OBS - MSR 11756003.

**Use:**

All 7.62mm weapons. The cartridge is not for field issue, but is used for proof firing of weapons during manufacture, test, or repair.

**Description:**

**HIGH PRESSURE TEST** Cartridge. The cartridge is identified by a stannic-stained (silvered) case.

**Function:**

The cartridge is loaded with a special propellant to produce pressures substantially in excess of the service cartridge.

**Tabulated Data:**

DODAC----- 1305-A129  
 UNO serial number ----- 0012  
 UNO proper shipping name----- Cartridges for weapons, inert projectile  
 Weight ----- 412 gr  
 Length----- 2.8 in. (71.1 mm)  
 Tracer----- NA  
 Primer----- Percussion  
 Fuze ----- NA

**Explosive:**

Type ----- NA  
 Weight----- NA

**Incendiary:**

Type ----- NA  
 Weight----- NA

**Propellant:**

Type ----- IMR 4475  
 Weight----- 41 gr

**Projectile:**

Weight----- 171.5 gr

**Performance:**

Chamber pressure ----- 67,500 psi  
 Velocity----- NA

**Shipping and Storage Data:**

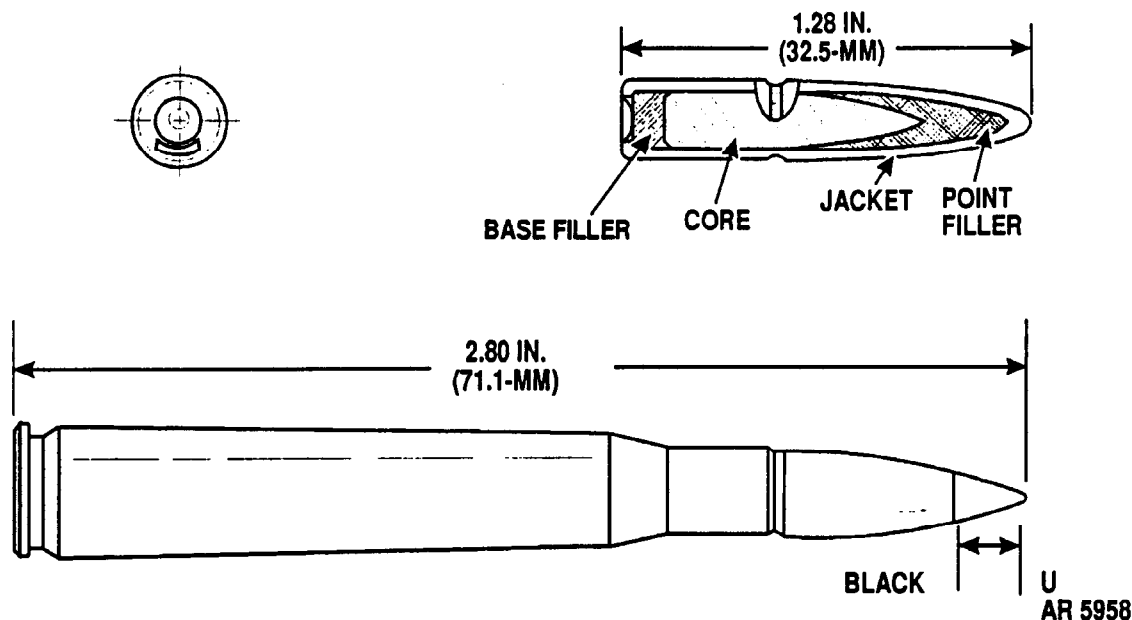
Quantity-distance class/  
 SCG ----- 1.4S  
 Storage code ----- Class V  
 DOT shipping class ----- C  
 DOT designation ----- SMALL ARMS  
 AMMUNITION  
 Drawing number ----- 7553703

**References:**

SB 700-20  
 TM 9-1005-223-10  
 TM 9-1005-223-12P  
 TM 9-1005-224-10  
 TM 9-1005-233-10  
 TM 9-1005-298-12  
 TM 9-1005-313-10  
 TM 9-1300-206



**CARTRIDGE, 7.62MM, ARMOR PIERCING, M61**



**Type Classification:**

OBS - MSR 11756003.

**Use:**

Machine Guns, 7.62mm, M60, M219 and M240; and Rifle, 7.62mm, M14. The cartridge is used in rifles and machine guns against personnel and light armored or unarmored targets, concrete shelters, and similar bullet-resisting targets.

**Description:**

**ARMOR PIERCING** Cartridge. The cartridge is identified by a black bullet tip.

**Tabulated Data:**

DODAC----- 1305-A120  
 UNO serial number ----- 0012  
 UNO proper shipping name----- Cartridges for weapons, inert projectile  
 Weight ----- 393 gr  
 Length----- 2.8 in. (71.1 mm)  
 Tracer----- NA

Primer ----- Percussion  
 Fuze ----- NA  
 Explosive:  
   Type ----- NA  
   Weight ----- NA  
 Incendiary:  
   Type ----- NA  
   Weight ----- NA  
 Propellant:  
   Type ----- IMR 4475  
   Weight ----- 41 gr  
 Projectile:  
   Weight ----- 150.5 gr

**Performance:**

Chamber pressure ----- 50,000 psi  
 Velocity ----- 2750 fps, 78 ft from muzzle

**Shipping and Storage Data:**

Quantity-distance class/  
   SCG ----- 1.4S  
 Storage code ----- Class V  
 DOT shipping class ----- C  
 DOT designation ----- SMALL ARMS AMMUNITION  
 Drawing number ----- 7553704

TM 43-0001-27

**References:**

SB 700-20  
TM 9-1005-223-10  
TM 9-1005-223-12P

TM 9-1005-224-10  
TM 9-1005-233-10  
TM 9-1005-298-12  
TM 9-1005-313-10  
TM 9-1300-206



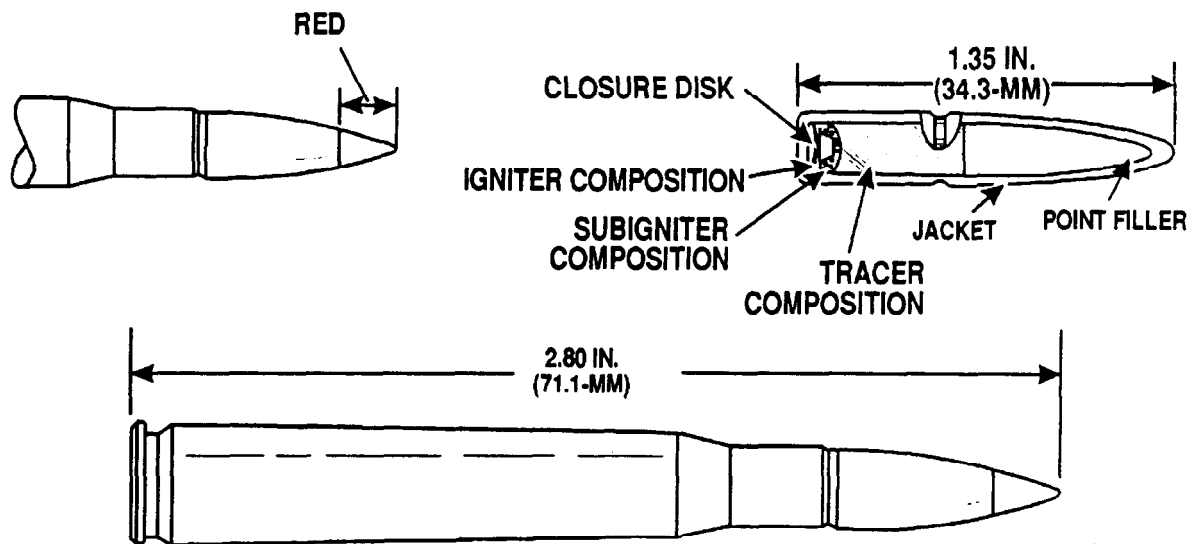
TM 43-0001-27

**References:**

SB 700-20  
TM 9-1005-223-10  
TM 9-1005-223-12P

TM 9-1005-224-10  
TM 9-1005-233-10  
TM 9-1005-298-12  
TM 9-1005-313-10  
TM 9-1300-206

**CARTRIDGE, 7.62MM, TRACER, M62 (OVERHEAD FIRE MISSION)**



U  
AR 5960

**Type Classification:**

CON - MSR 11756003.

**Use:**

Machine Guns, 7.62mm, M60, M219 and M240; and Rifle, 7.62mm, M14. The cartridge is used in weapons for firing over the heads of troops being trained in field exercises. Stringent production control and screening of ammunition lots ensure the safety of personnel operating immediately below the trajectory of the fired bullets.

**Description:**

TRACER Cartridge. The cartridge is identified by a red bullet tip.

**Tabulated Data:**

DODAC----- 1305-A167  
 UNO serial number ----- 0012  
 UNO proper shipping  
 name----- Cartridges for  
 weapons, inert pro-  
 jectile  
 Weight ----- 387 gr  
 Length----- 2.8 in. (71.1 mm)  
 Tracer----- R284  
 Primer ----- Percussion  
 Fuze ----- NA  
 Explosive:  
 Type ----- NA

Weight----- NA  
 Incendiary:  
 Type ----- NA  
 Weight----- NA  
 Propellant:  
 Type ----- WC 846  
 Weight----- 46 gr  
 Projectile:  
 Weight----- 146 gr

**Performance:**

Chamber pressure ----- 50,000 psi  
 Velocity ----- 2750 fps, 78 ft from  
 muzzle

**Shipping and Storage Data:**

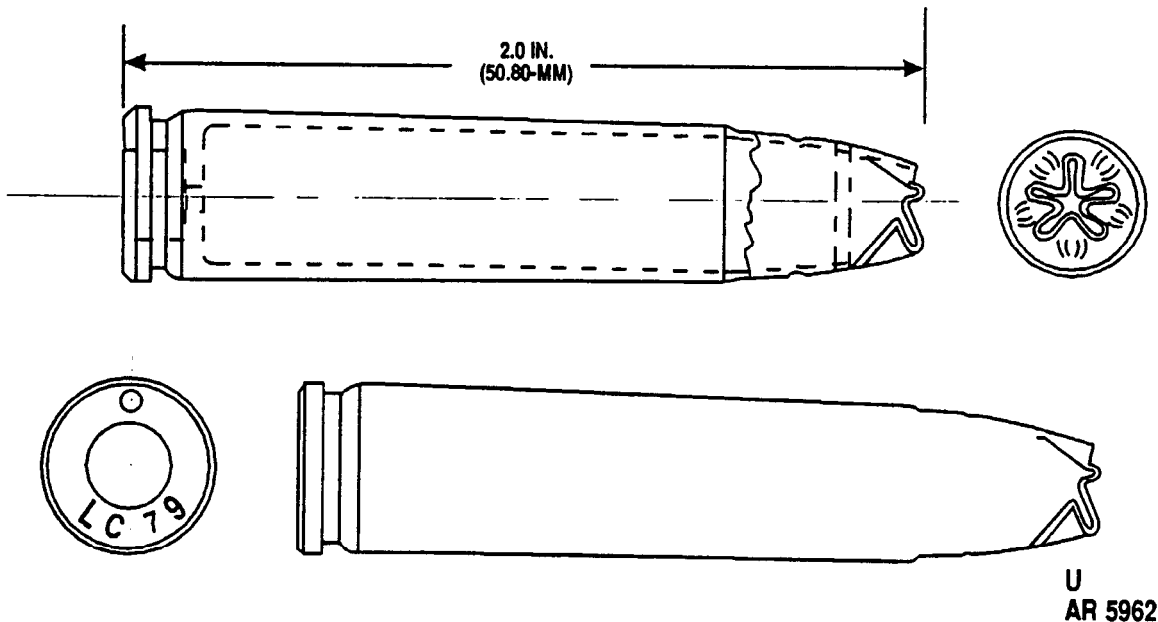
Quantity-distance class/  
 SCG ----- 1.4S  
 Storage code ----- Class V  
 DOT shipping class ----- C  
 DOT designation ----- SMALL ARMS  
 AMMUNITION  
 Drawing number ----- 10535493

**References:**

SB 700-20  
 TM 9-1005-223-10  
 TM 9-1005-223-12P  
 TM 9-1005-224-10  
 TM 9-1005-233-10  
 TM 9-1005-298-12  
 TM 9-1005-313-10  
 TM 9-1300-206



**CARTRIDGE, 7.62MM, GRENADE, M64**



**Type Classification:**

OBS - MSR 11756003.

**Use:**

Rifle, 7.62mm, M14.

**Description:**

**GRENADE** Cartridge. The cartridge is identified by a rose-petal (rosette-crimp) closure of the cartridge case mouth and sealed with red lacquer.

**Function:**

The cartridge provides pressure upon functioning to project rifle grenade to a desired target when using a grenade projectile adapter and dragon missile launch effect trainer (LET).

**Tabulated Data:**

DODAC----- 1330-G839  
 UNO serial number ----- 0014

**UNO proper shipping**

|             |                               |
|-------------|-------------------------------|
| name-----   | Cartridges for weapons, blank |
| Weight----- | 295 gr                        |
| Length----- | 2 in. (50.8 mm)               |
| Tracer----- | NA                            |
| Primer----- | Percussion                    |
| Fuze-----   | NA                            |
| Explosive:  |                               |
| Type-----   | NA                            |
| Weight----- | NA                            |
| Incendiary: |                               |
| Type-----   | NA                            |
| Weight----- | NA                            |
| Propellant: |                               |
| Type-----   | WC 830                        |
| Weight----- | 45 gr                         |
| Projectile: |                               |
| Weight----- | NA                            |

**Performance:**

|                       |   |
|-----------------------|---|
| Chamber pressure----- | NA  |
| Velocity-----         | 160 fps, 5.6 ft from muzzle for projected grenade |

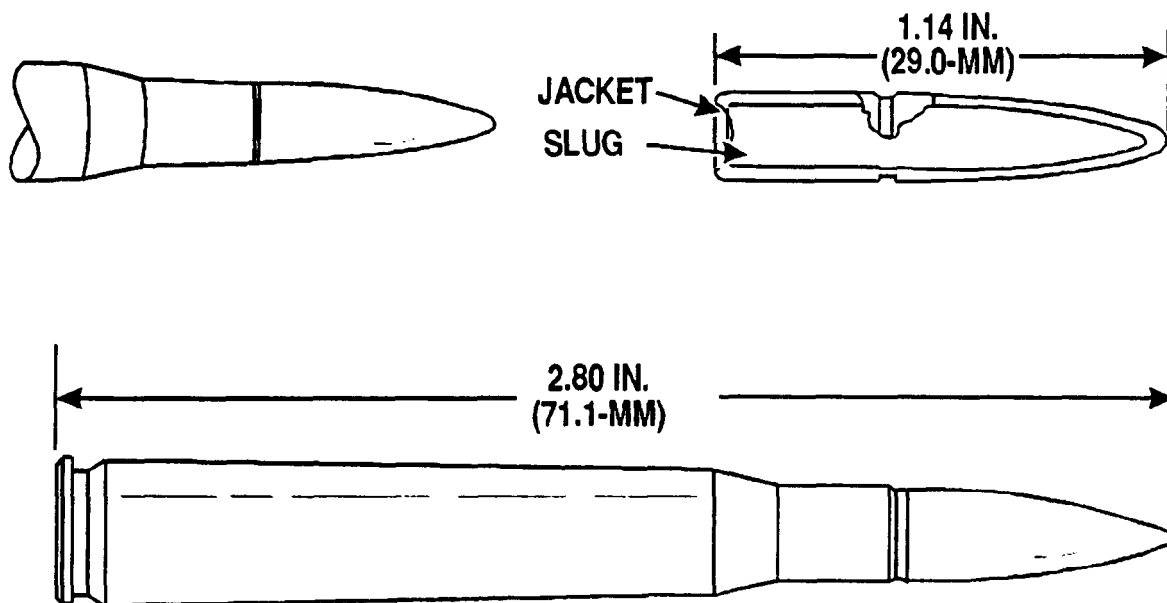
**Shipping and Storage Data:**

|                          |         |
|--------------------------|---------|
| Quantity-distance class/ |         |
| SCG-----                 | 1.4S    |
| Storage code-----        | Class V |





**CARTRIDGE, 7.62MM, BALL, M80**



**U  
AR 5963**

**Type Classification:**

STD - MSR 07798001.

**Use:**

Machine Guns, 7.62mm, M60, M219 and M240; and Rifle, 7.62mm, M14. The cartridge is intended for use against personnel and unarmored targets.

**Description:**

BALL Cartridge. This cartridge is identified by a plain bullet tip.

**Tabulated Data:**

DODAC----- 1305-A122  
 UNO serial number ----- 0012  
 UNO proper shipping  
 name----- Cartridges for  
 weapons, inert pro-  
 jectile  
 Weight ----- 392 gr  
 Length----- 2.8 in. (71.1 mm)  
 Tracer----- NA

Primer----- Percussion  
 Fuze----- NA  
 Explosive:  
 Type----- NA  
 Weight----- NA  
 Incendiary:  
 Type----- NA  
 Weight----- NA  
 Propellant:  
 Type----- WC 846  
 Weight----- 46 gr  
 Projectile:  
 Weight----- 146 gr

**Performance:**

Chamber pressure ----- 50,000 psi  
 Velocity----- 2750 fps, 78 ft from  
 muzzle

**Shipping and Storage Data:**

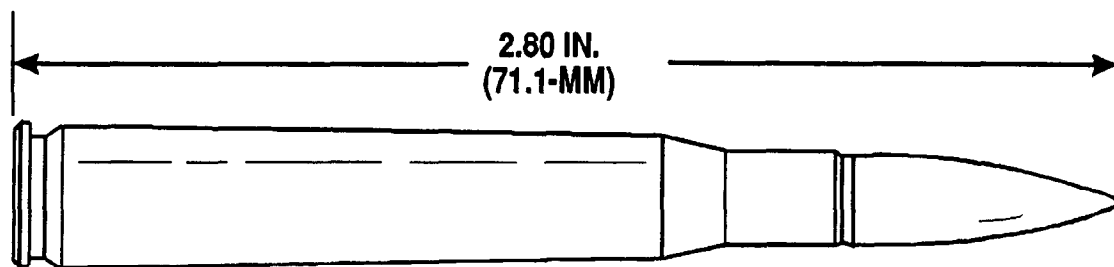
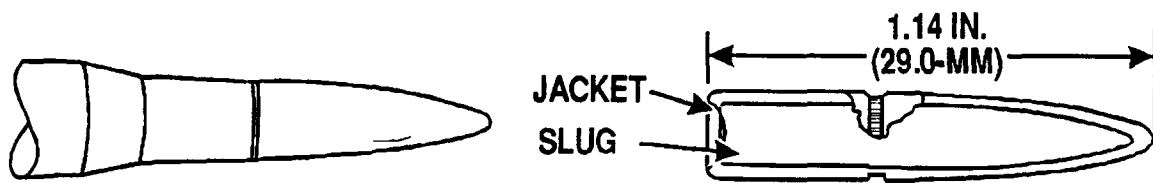
Quantity-distance class/  
 SCG----- 1.4S  
 Storage code ----- Class V  
 DOT shipping class ----- C  
 DOT designation ----- SMALL ARMS  
 AMMUNITION  
 Drawing number ----- 10521998

**References:**

SB 700-20  
TM 9-1005-223-10  
TM 9-1005-223-12P

TM 9-1005-224-10  
TM 9-1005-233-10  
TM 9-1005-298-12  
TM 9-1005-313-10  
TM 9-1300-206

**CARTRIDGE, 7.62MM, BALL, M80 (OVERHEAD FIRE APPLICATION)**



**U**  
**AR 5964**

**Type Classification:**

STD - MSR 07798001.

**Use:**

Machine Guns, 7.62mm, M60, M219 and M240. The cartridge is used in machine guns for firing over the heads of troops being trained in field exercises. Stringent production control and screening of ammunition lots ensure the safety of personnel operating immediately below the trajectory of the fired bullets.

**Description:**

**BALL** Cartridge. The cartridge is identified by a plain bullet tip.

**Tabulated Data:**

DODAC----- 1305-A166  
 UNO serial number ----- 0012  
 UNO proper shipping  
 name----- Cartridges for  
 weapons, inert pro-  
 jectile  
 Weight ----- 392 gr  
 Length----- 2.8 in. (71.1 mm)

Tracer----- NA  
 Primer----- Percussion  
 Fuze----- NA  
 Explosive:  
 Type ----- NA  
 Weight----- NA  
 Incendiary:  
 Type ----- NA  
 Weight----- NA  
 Propellant:  
 Type ----- WC 846  
 Weight----- 46 gr  
 Projectile:  
 Weight----- 149 gr

**Performance:**

Chamber pressure ----- 50,000 psi  
 Velocity ----- 2750 fps, 78 ft from  
 muzzle

**Shipping and Storage Data:**

Quantity-distance class/  
 SCG ----- 1.4S  
 Storage code ----- Class V  
 DOT shipping class ----- C  
 DOT designation ----- SMALL ARMS  
 AMMUNITION  
 Drawing number ----- 10523088

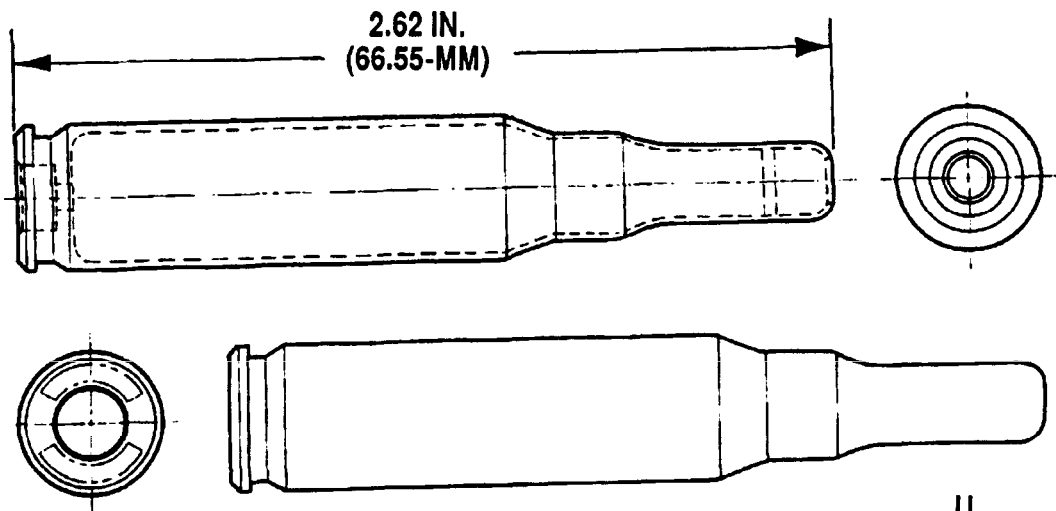
TM 43-0001-27

**References:**

SB 700-20  
TM 9-1005-223-10  
TM 9-1005-223-12P

TM 9-1005-224-10  
TM 9-1005-233-10  
TM 9-1005-298-12  
TM 9-1005-313-10  
TM 9-1300-206

**CARTRIDGE, 7.62MM, BLANK, M82**



**U  
AR 5969**

**Type Classification:**

STD - OTCM 36841.

**Use:**

Machine Guns, 7.62mm, M60, M219 and M240; and Rifle, 7.62mm, M14. The cartridge is used in rifles and machine guns equipped with blank firing attachments to simulate firing in training exercises and for saluting purposes.

**Description:**

BLANK Cartridge. The cartridge is identified by its double tapered neck and absence of a bullet.

**Tabulated Data:**

DODAC----- 1305-A112  
 UNO serial number ----- 0014  
 UNO proper shipping  
 name----- Cartridges for  
 weapons, blank  
 Weight ----- 235 gr  
 Length----- 2.62 in. (66.55 mm)  
 Tracer----- NA  
 Primer----- Percussion  
 Fuze----- NA  
 Explosive:  
 Type ----- NA

Weight----- NA  
 Incendiary:  
 Type ----- NA  
 Weight----- NA  
 Propellant:  
 Type ----- SR 8231  
 Weight----- 15 gr

**Performance:**

Chamber pressure ----- NA  
 Velocity----- NA

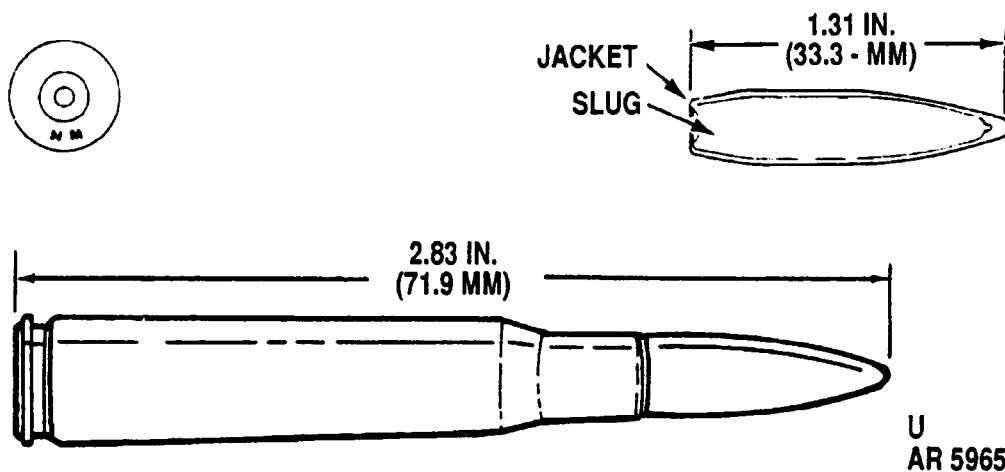
**Shipping and Storage Data:**

Quantity-distance class/  
 SCG ----- 1.4S  
 Storage code ----- Class V  
 DOT shipping class----- C  
 DOT designation ----- SMALL ARMS  
 AMMUNITION  
 Drawing number ----- 8597283

**References:**

SB 700-20  
 TM 9-1005-223-10  
 TM 9-1005-223-12P  
 TM 9-1005-224-10  
 TM 9-1005-233-10  
 TM 9-1005-298-12  
 TM 9-1005-313-10  
 TM 9-1300-206

**CARTRIDGE, 7.62MM, BALL, SPECIAL, M118**



**Type Classification:**

STD - MSR 07798001.

**Use:**

Rifles, 7.62mm, M14, M21, M24, and M40A1. The cartridge is intended and specifically prepared for use in high accuracy weapons.

**Description:**

BALL Cartridge. The cartridge is identified by cartridge case head stampings with NATO design mark, manufacturer and year.

**Tabulated Data:**

DODAC----- 1305-A136  
 UNO serial number ----- 0012  
 UNO proper shipping name----- Cartridges for weapons, inert projectile  
 Weight ----- 390 gr  
 Length----- 2.83 in. (71.9 mm)  
 Tracer----- NA  
 Primer----- Percussion  
 Fuze ----- NA  
 Explosive:  
 Type ----- NA

Weight----- NA  
 Incendiary:  
 Type ----- NA  
 Weight----- NA  
 Propellant:  
 Type ----- WC 846 and IMR 4895  
 Weight----- 44 gr  
 Projectile:  
 Weight----- 172 gr

**Performance:**

Chamber pressure ----- 50,000 psi  
 Velocity----- 2640 fps

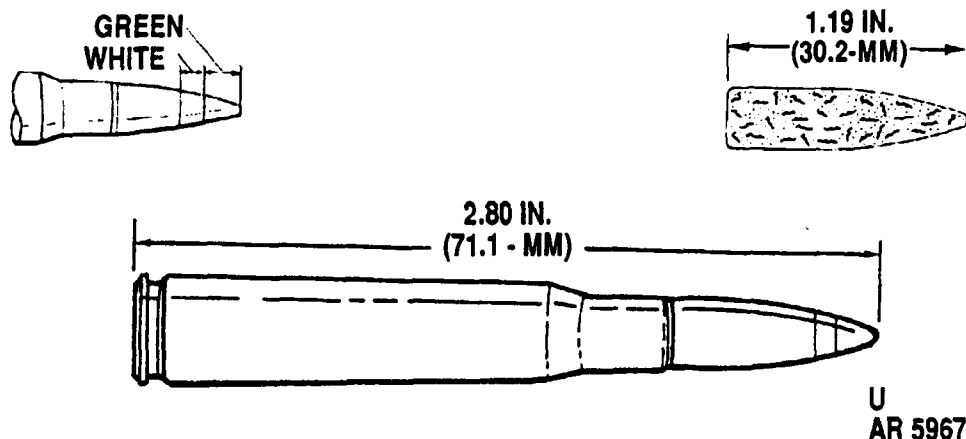
**Shipping and Storage Data:**

Quantity-distance class/  
 SCG ----- 1.4S  
 Storage code ----- Class V  
 DOT shipping class ----- C  
 DOT designation ----- SMALL ARMS AMMUNITION  
 Drawing number ----- 8597555

**References:**

SB 700-20  
 TM 9-1005-223-12P  
 TM 9-1300-206

**CARTRIDGE, 7.62MM, FRANGIBLE, M160**



**Type Classification:**

STD - AMCTC 2186.

**Use:**

Machine Guns, 7.62mm, M219 and M240. The cartridge is designed for firing single shots in the machine gun for gunnery practice.

**Description:**

**FRANGIBLE** Cartridge. The cartridge is identified by a green bullet tip with a white ring to the rear of the green tip.

**Function:**

The frangible bullet, upon striking a target, disintegrates, leaving a mark at the point of impact. It is not to be fired on indoor ranges unless they are well ventilated to prevent the buildup of bullet "dust," which is toxic.

**Tabulated Data:**

|                               |  |
|-------------------------------|--|
| DODAC-----                    | 1305-A147                                |
| UNO serial number -----       | 0012                                     |
| UNO proper shipping name----- | Cartridges for weapons, inert projectile |
| Weight -----                  | 315 gr                                   |
| Length -----                  | 2.8 in. (71.1 mm)                        |
| Tracer-----                   | NA                                       |
| Primer-----                   | Percussion                               |

|              |          |
|--------------|----------|
| Fuze -----   | NA       |
| Explosive:   |          |
| Type -----   | NA       |
| Weight ----- | NA       |
| Incendiary:  |          |
| Type -----   | NA       |
| Weight ----- | NA       |
| Propellant:  |          |
| Type -----   | SR 8074  |
| Weight ----- | 10.5 gr  |
| Projectile:  |          |
| Weight ----- | 108.5 gr |

**Performance:**

|                        |                              |
|------------------------|------------------------------|
| Chamber pressure ----- | NA                           |
| Velocity-----          | 1320 fps, 100 yd from muzzle |

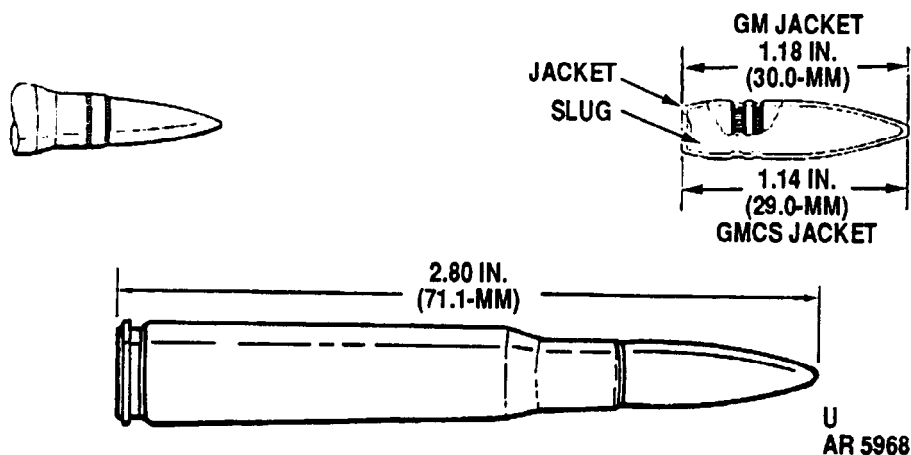
**Shipping and Storage Data:**

|                                   |                       |
|-----------------------------------|-----------------------|
| Quantity-distance class/SCG ----- | 1.4S                  |
| Storage code -----                | Class V               |
| DOT shipping class -----          | C                     |
| DOT designation -----             | SMALL ARMS AMMUNITION |
| Drawing number -----              | 10522476              |

**References:**

- SB 700-20
- TM 9-1005-224-10
- TM 9-1005-233-10
- TM 9-1005-298-12
- TM 9-1005-313-10
- TM 9-1300-206

**CARTRIDGE, DUMMY, 7.62MM, M172**



**Type Classification:**

STD - AMCTC 4635.

**Use:**

Test of 7.62mm weapons. The cartridge is inert and is used to test the mechanism and metallic link belts of 7.62mm weapons.

**Description:**

DUMMY Cartridge. The cartridge is identified by a black oxide finish over the entire round and has no primer. There is no vent hole in the primer pocket.

**Tabulated Data:**

|             |                   |
|-------------|-------------------|
| DODAC-----  | 1305-A162         |
| Weight----- | 385 gr            |
| Length----- | 2.8 in. (71.1 mm) |
| Tracer----- | NA                |
| Primer----- | NA                |
| Fuze-----   | NA                |
| Explosive:  |                   |
| Type-----   | NA                |
| Weight----- | NA                |
| Incendiary: |                   |
| Type-----   | NA                |
| Weight----- | NA                |

Propellant:

Type ----- NA  
Weight ----- NA

Projectile:

Weight ----- NA

**Performance:**

Chamber pressure ----- NA  
Velocity ----- NA

**Shipping and Storage Data:**

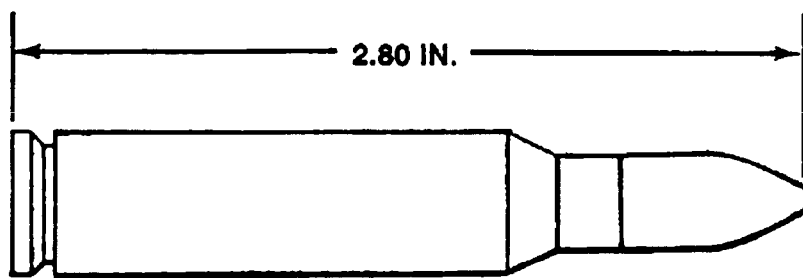
|                                      |                            |
|--------------------------------------|----------------------------|
| Quantity-distance class/<br>SCG----- | NA                         |
| Storage code-----                    | NA                         |
| DOT shipping class-----              | NA                         |
| DOT designation-----                 | NONEXPLOSIVE<br>AMMUNITION |
| Drawing number-----                  | 10522688                   |

**References:**

- SB 700-20
- TM 9-1005-223-10
- TM 9-1005-223-12P
- TM 9-1005-224-10
- TM 9-1005-233-10
- TM 9-1005-298-12
- TM 9-1005-313-10
- TM 9-1300-206



**CARTRIDGE, 7.62MM, DIM TRACER, M276**



U  
AR 4972

**Type Classification:**

STD - Being performed.

**Use:**

Rifle, 7.62mm, M14; Machine Guns, 7.6mm, M60, M240, M219 and M134. The combat cartridge is to be used by soldiers equipped with night vision equipment.

**Description:**

COMBAT Cartridge. The cartridge is identified by a pink ring behind a green tip.

**Tabulated Data:**

DODAC----- 1305-A163  
 UNO serial number ----- 0012  
 UNO proper shipping  
 name----- Cartridges for  
 weapons, inert pro-  
 jectile  
 Weight ----- 381 gr  
 Length ----- 2.8 in.  
 Tracer----- R440 Trace Mix  
 Primer ----- Percussion  
 Fuze ----- NA

**Explosive:**

Type ----- NA  
 Weight ----- NA

**Incendiary:**

Type ----- NA  
 Weight ----- NA

**Propellant:**

Type ----- WC-846  
 Weight ----- 46 gr  
 Projectile weight ----- 140-150 gr

**Performance:**

Chamber pressure ----- 50,000 psi  
 Velocity ----- 2750 fps (GMCS)  
 and 2680 fps (GM),  
 78 ft from muzzle

**Shipping and Storage Data:**

Quantity-distance class/  
 SCG ----- 1.4S  
 Storage code ----- C  
 DOT shipping class ----- C  
 DOT designation ----- CARTRIDGES  
 SMALL ARMS

**References:**

DMWR 9-1300-0017-D1  
 TM 9-1305-201-20&P  
 TM 9-1305-201-34&P

