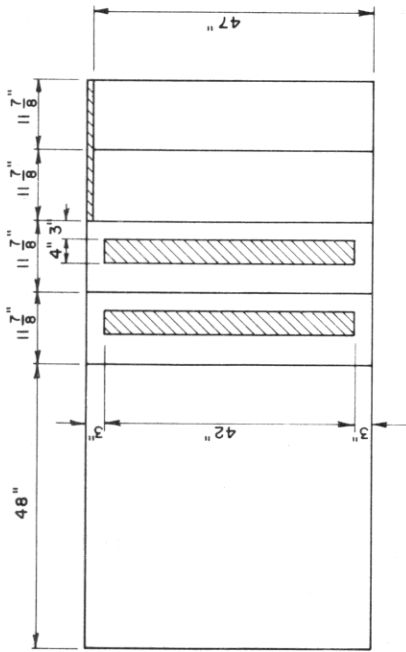
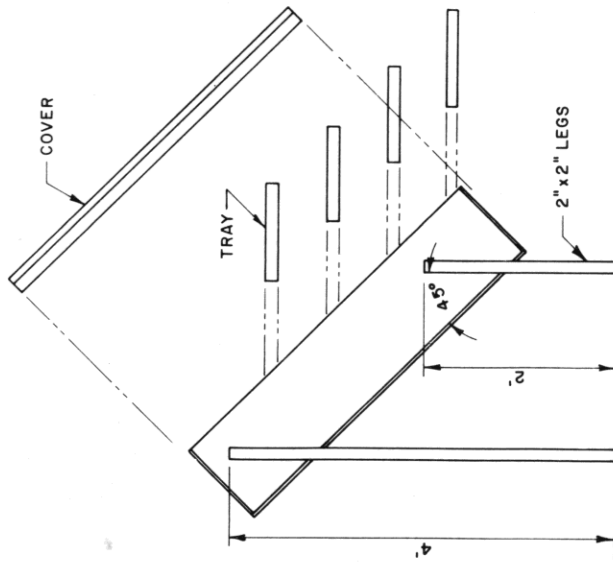


| MATERIAL | QUANTITY |
|---|----------|
| 4' x 8' x 1/2" Ext. Plywood | 1 Sheet |
| 2" x 2" | 12' |
| 1" x 2" | 120' |
| Alum. Or Vinyl Insect Screening | 4' x 5' |
| 4 - 6 Mil Clear Film | 5' x 5' |
| 1/2" x 3" "L Strap" Corner Braces | 20 |
| Misc. Supplies - Paint, Nails, Glue, etc. | As Req'd |

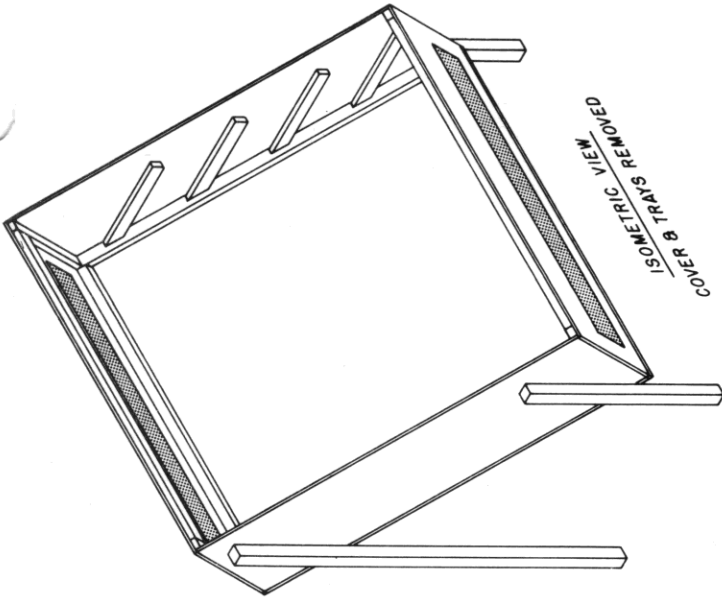
NOTE:
CONSULT LOCAL HEALTH AND BUILDING
CODE AUTHORITIES BEFORE STARTING
CONSTRUCTION.



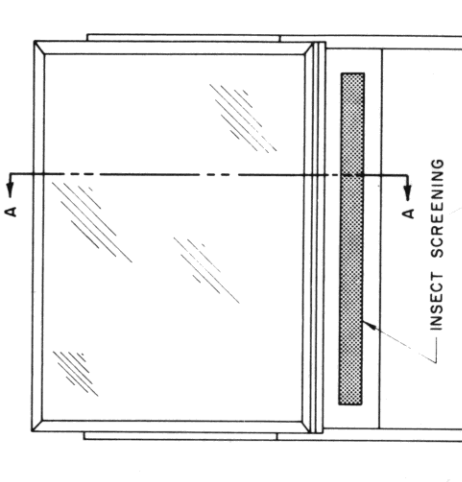
PLYWOOD CUTTING DIAGRAM



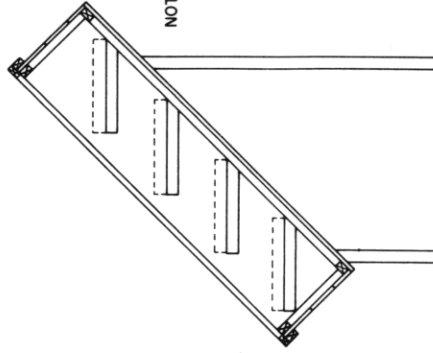
SIDE VIEW



ISOMETRIC VIEW
COVER & TRAYS REMOVED



FRONT VIEW



SECTION A-A

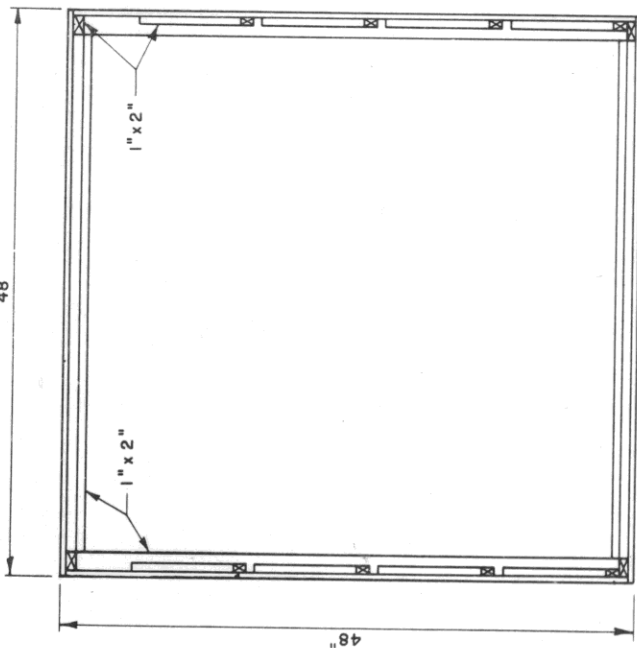
NOTE:
Fasten Cover To Box
With 4 Screen Door
Hooks

NOTE: Do Not Use Paint That Contains Lead On Trays Or Inside Of Box.

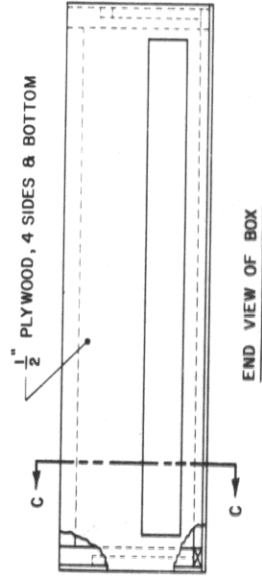
BASED ON: OKLA. STATE UNIV.
PLAN NO. OK-770-9

Adapted From Design By DAVID G. WAGNER &
POLLY ALLEN, Colorado State University

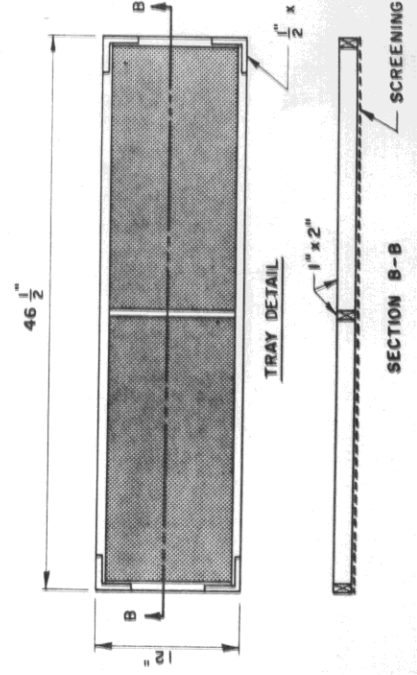




PLAN VIEW OF BOX

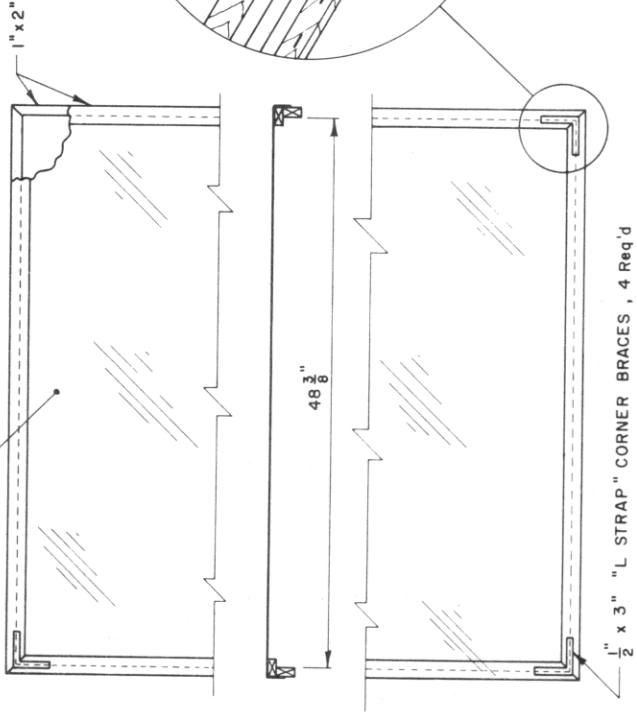


END VIEW OF BOX

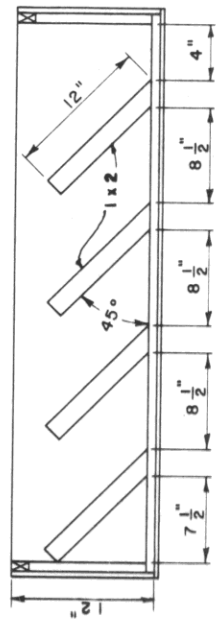
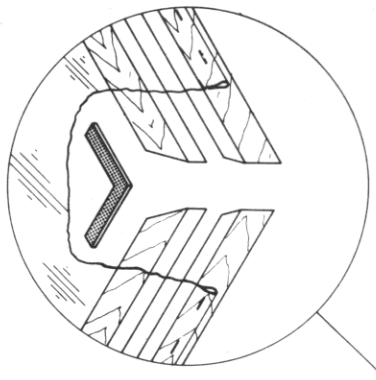


TRAY DETAIL

SECTION B-B



MITER JOINT
"EXPLODED VIEW"



- NOTE:
1. All Joints To Be Glued & Nailed
 2. Trays & Inside Of Box To Be Painted Flat Black
 3. Outside Of Box & Cover Frame To Be Finished With Spar Varnish Or Exterior Paint