

Issue #5, Jan./Feb. 1991

Cybertek

Subscriptions:

15/year domestic

20/year overseas

The Cyberpunk Technical Journal

Published by OCL/Magnitude, P.O. Box 64, Brewster, NY 1050

(c)1990, 1991 by OCL/Magnitude. All rights reserved.

Thoughts From the Interzone

"The times, they are a-changin'"

-Bob Dylan

Happy New Year, and welcome to Cybertek Issue #5. We apologize for it being a bit late, but we wanted to hold off for any updates on the Persian Gulf "crisis". Yes it is indeed a crisis, but not in the sense that the traditional newsmedia and the government bureaucracy say it is. When is it ever though?

Onto other things, we received a request on **Manta's Lair** BBS for info on alternate IDs. In lieu of a recent article **Black Manta** was relating to me about the possibility of a military draft; having a few is a good idea. According to this article the **Selective Service** computer system that handles draft notices is ready to go and could start sending out notices in 24 to 72 hours! So, in this issue we have some related articles and information. We hope no one has to use it but if push comes to shove; so be it!

Talking about **Selective Service** made me recall some interesting stories some of my older friends told me about resisting the draft. One of their stories involved something they used to do to fuck up the system. What they did was to register under several different names over a period of time. This jammed the works when it came time for all these "people" to report. From what I've been able to determine this still works, but don't do it as it's illegal. If you are worried about the implications of them starting it up again and know anyone who lived during the '60s and resisted the draft, then go talk to them about what they did. You'll find they are a wealth of information.

On the same topic a friend of mine had an experience with them about a year ago which should tell you something about their current state. This gentleman joined the military (which automatically registers you with **Selective Service**) and while on active duty received a strongly worded letter from those people stating that he'd better register and stating the criminal penalties for not doing so. He sent them a letter on his unit's stationery telling them to come and arrest him; giving his current address.

Onto other things there was a meeting of various federal and law enforcement agencies regarding the use of terrorist operations against targets in the U.S. as a result of our little stand-off with

Silence
is the voice
of complicity.

Iraq. The involved parties were made aware of the situation, and given guidelines to follow. This affects you in two ways. The first and most obvious that you might be in a public place & get nailed in an attack, or suffer indirectly because utilities were attacked. The second and perhaps greater danger is that your civil rights might be denied you "for your own safety". Remember a little discussion last issue on **Executive Order 11490**. The government has always frowned on people making preparations for the future on their own, and as it is right now they have difficulties telling the difference between people who intelligently plan ahead for unforeseen circumstances and terrorists. Therefore at this time I would recommend taking some precautions and act discreetly when making your preparations. All that might take is one (possibly even unrelated) incident to get martial law declared in this country. Judging from some of the laws they've passed recently and would like to pass I'd say they're looking forward to it.

-Thomas Icom, editor

Sources

MWK Industries
1269 Pomona Road #110
Corona, CA 91720
714-278-0563
800-356-7714

These people deal exclusively in lasers and laser related products. They seem to have the best prices around for this stuff. Call them for a free catalog.

The Onion Press
6818 W. State St., Suite 116
Milwaukee, WI 53213

This place offers printouts of electronic newsletters like **Phrack & LOD/H Tech Journal** for people who don't have modems. All the newsletters are done on a laser

The pen is mightier than the sword

FOR EDUCATIONAL PURPOSES ONLY (1)

printer, and the quality is very high.
Write for more details.

Digital Communications via Radio by Thomas Icom

Within recent years the state of the art in digital radio communications has reached the point where consistently reliable high speed systems can be set up at a very reasonable cost. Furthermore, the elimination of morse code as a requirement for an amateur radio license now allows for some interesting possibilities.

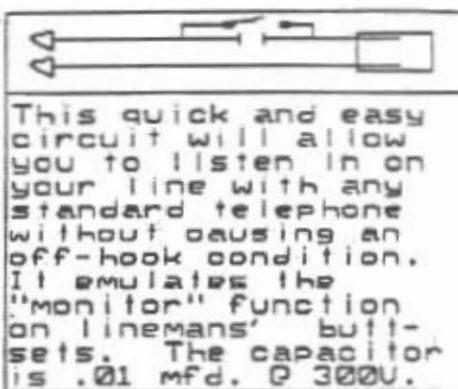
The advantage of radio over telephone for digital communications is the simple fact that you don't have to worry about the phone companies or phone bills. Using radio costs nothing except for the initial outlay in equipment. Also, activities such as networks and large-scale digital conferences are accomplished easier when done via radio. Radio communications eliminates the need to commit telecommunications fraud, a common downfall of phone users. Finally, freed from the restriction of phone lines, we can begin to see truly portable communication. You can literally be anywhere and be able to get into the net. Complete digital radio communications systems exist that can be fit into a briefcase.

A radio signal is also better suited for transmission than a phone line. Due to the restricted bandwidth and noise encountered on a phone circuit the speed of digital comms is severely restricted. With radio one can have an almost unlimited bandwidth for incredible data communications speeds (some microwave links have transmission speeds upwards of 1.4 million bits per second), and can increase power to compensate for noise conditions.

While it is often said that radio isn't as secure as telecom, in reality with the proper encryption it is more secure than listening to a phone due to the simple fact that you are no longer using a telecommunications carrier's network. However, seeing the "security measures" on many "underground" BBSes leads me to believe that even an unencrypted radio data network running on 52.24 Mhz would offer an increase in security. We can also randomly change the physical characteristics of the digital signal (mark/space frequencies, modulation type, communications frequency, RF power level) easier on radio to confuse an interceptor.

There are various protocols being used via radio today. All of these protocols are in common use by amateur radio operators, are easy to employ, and are readily and inexpensively available. In fact, a

alligator
clips
to
tip & ring



modular
plug
(red &
green
wires)

This quick and easy circuit will allow you to listen in on your line with any standard telephone without causing an off-hook condition. It emulates the "monitor" function on linemen's buttsets. The capacitor is .01 mfd. @ 300V.

complete low-end communications digital amateur radio setup can be had for under \$500. This is less than the cost of a cheap IBM AT clone.

The oldest communications protocol used is Baudot. This is a five bit code running at either 45 or 75 baud and is mostly used on the shortwave frequencies (under 30 Mhz.) It is a five bit code and as such is unsuitable for any type of computer file transfers. It is also very slow. However it is very reliable for quick and easy worldwide comms and equipment is very inexpensive. Traditional ASCII is also used in various forms. Besides being used with different error checking protocols it is also used in the traditional form on shortwave running at 110 and 300 baud. While not as noise resistant and reliable as Baudot on shortwave it does allow for faster communications and for file transfers at national/worldwide distances with a minimum of equipment. ASCII also doesn't require 5 to 8 bit translation as does baudot for computer use. (In the old days, people used mechanical teletypewriters for data comms and a 5 bit code was simple to work with, given the equipment. Computers were still big clunky things that took up whole rooms.) Someone with moderate knowledge in electronics could make an ASCII radio modem with an XR-2206 and XR-2211 FSK chips for under \$20! There is also an error checking form of ASCII used on shortwave called AMTOR (AMateur Teleprinting Over Radio) which is a variation of the STOR system used by ships.

Finally, we have packet. Packet is a radio based data communications protocol used by ham radio operators for their own computer network that stretches over most of the country. It uses ASCII with a communications protocol called AX.25. AX.25 is a ham radio adaptation of the X.25 protocol used by Telenet and other telecom based data networks. Packet is very active on VHF and UHF frequencies (2 meters, 220 Mhz, 440 Mhz., and above) and is ideally suited to these frequencies. The major east coast ham packet network EASTNET runs from Maine to Miami and contains hundreds of relay stations (digipeaters) and BBSes as well as gateways; stations

which provide crossband operation to smaller more local nets running on a different frequency or to shortwave stations which provide connections to the west coast network. There are now also ham satellites in orbit which can extend the range to Europe and other parts of the globe. Access is either directly through the satellite or via a land based gateway in the net. Packet allows for more reliable connections and more portable operation. Instead of running a shortwave transceiver that requires a large power supply and antenna one can fit a laptop computer, TNC (Terminal Node Controller; a modem for packet operation), a VHF/UHF handheld, and a small gel-cell battery in a briefcase. This set-up will go 10-20 miles which is enough of a distance to get to a digipeater from anywhere in the U.S. and access the net.

Radio modems/TNCs are available from ham suppliers along with the respective radios. Check out ham magazines (73, QST, CQ) for supplier addresses and equipment reviews. Also check out the sources listed in my previous articles for more general info on radio communications and getting a ham license.

As you see, radio offers as good if not better digital communications capability than the telecommunications network does, with better capability in security. Should you be seriously interested in digital commo it worth your while to check out radio as a means of transmission.

Some Interesting Chips

We just received some information about these ICs and thought I might pass it along. All of these ICs are complete radio circuits and have some useful applications.

The first IC is a **NE602 Frequency Converter** made by **Signetics**. This chip contains a local oscillator and mixer. This chip is the basis of many projects including voice scramblers, radio repeaters, receivers, and RF converters (enabling you to receive frequencies that your equipment doesn't cover). You can get **NE602** chips for \$2.00 each + \$2.50 s/h (per order) from **Small Parts Center, 6818 Meese Drive, Lansing, MI 48911**. For more info on this chip read the article in **April 1990 Radio Electronics**.

The other chips are the **MC2833 Low Power FM Transmitter** and **MC3362 Dual Conversion FM Receiver**. Both these chips are made by **Motorola**. They are usable up to 450 Mhz. and make RF design very easy; just add support components and you're off. The **MC2833** puts out around 10 milliwatts of power depending on supply voltage and operating frequency. The **M3362** has

several outputs which can be useful for adding signal strength meter, remote control devices, or for data communications. They are available from any good electronic parts dealer who deals with **Motorola**. While you're at it, pick up a copy of **Motorola publication DL136, Revision 1: "Telecommunications Devices"** which the dealer should have as well.

In a future issue, we will be presenting some project schematics using these chips.

HIDING YOURSELF

by John J. Williams, Consumertronics

WE ARE IN A TERRIBLE MESS! If ever there was a time in this country to make yourself scarce, this must certainly be it. Consider:

(1) After eight years of the Let's-Just-Preter Reagan Administration and four years of the Let's-Wreck-The-Country-Even-More Bush Administration, we are on the brink of both an economic catastrophe that makes the Great Depression look like a Sunday picnic and a world war that's going to pale all of our previous wars.

(2) Japan, and other foreign countries, are buying up America at such a frenzy - even our National Park concessions and our great institutions - that the prospect of America being turned into a huge post-World War II POW camp is indeed a reality.

(3) Credit bureaus have taken snooping to new levels to violate personal privacy and to oppress the people.

(4) To make up for all of the money ripped-off by the politicians and their big-shot friend governments, thru their tax collection entities, are becoming increasingly oppressive and dictatorial while taxes soar beyond even what would have been

The Duffle Bag

Military Surplus - Collectibles
Outdoor Clothing

BUY - SELL - TRADE

Send S.A.S.E. with want/
trade list.

Route 52, Carmel NY
10512

(914)-225-1231



Call: **Manta's Lair BBS**

Computer Bulletin Board System

300/1200/2400 baud, 8/N/1

Cybertek BBS#1, online 24 hours

↔ **206-361-5742** ↔

Computers, Hacking, Phones, Radio, Security, Financial,
Alternative Energy, Survival, First Amendment, &
Cyberpunk discussion forums. 150 Megabytes of
technological information of all sorts.

FOR EDUCATIONAL PURPOSES ONLY

tolerated just a few years ago.

(5) Efforts to register and confiscate firearms have reached such a fever pitch that our Founding Fathers must be turning over in their graves. For example, California recently made it a felony not to register an "assault-rifle" - a state that been under continuous Republican domination since Reegen was Governor.

(6) Our basic industries are only a shadow of what they were in the 1950s and 1960s, particularly in the processing of metals. And our system of transportation is shot. The railroads and airlines are dilapidated and falling at ever-increasing rates. Without a massive repair effort in which there is no money for, our interstate highway system will last another decade at most.

(7) Virtually every type of financial institution is being ripped-off enmasse by insider fraud and has either collapsed or is on the verge of collapse: S&Ls, banks, credit unions, retirement funds, insurance companies, Wall Street. You name it.

(8) Politicians have always been corrupt. But in the last decade, this corruption has reached a new level that even shocks me. You know as well as I do that Bush is being paid off by the Japanese, Germans, and Arab Sheiks. None of his four sons are going to die in the desert. Thank you, but they are all doing very well financially, especially Neal. When you got guys like John Glenn selling himself to the highest bidder, you've got to know that there is no peaceful prospect that the system an ever be corrected.

(9) we are only a few years from a new millennium. You can bet the old millennium won't end without the rivers running red with blood.

THE SOLUTION

Need I say more? Clearly if you try to live your

life like you are a member of the **Leave it to Beaver** family, you are bound to be screwed bad, and your chances of survival are nil. You'll be taxed to death, your loved ones will be shipped off as cannon fodder, you'll probably lose your job or at least get your retirement and benefits stolen from you, and what little property you have will also be ripped off.

The only solution is to join the underground economy, to travel as light as you can, and to make yourself as scarce as possible. In the final analysis, if they can't find you they can't harm you. We provide much good advice in this direction in our **"BY AN ORDER OF THE MAGNITUDE"** book. Other excellent sources are available from **Loompanics Unlimited, Paladin Press, etc.** Of course, virtually any living you make thru the underground economy - even if it's selling rosary beads - is strictly illegal, but that's a judgement you'll have to make.

Many people who own a lot of property and who are well known by a lot of people make some-to-all of their income thru the underground economy. Thus, they are still vulnerable to attack. They still can't fart without an entry being made at a credit bureau. In fact, in some respects, they are in greater danger than people who make identifiable livings, because eventually the tax entities will ferret out the discrepancy between their lifestyles and their identifiable sources of income, and react accordingly.

To be truly safe, you must not only make all or virtually all of your living thru the underground economy, **BUT** also make yourself as unidentifiable as possible. You can do the later using a combination of means:

(1) Obtain and use alternate identifications. This is discussed fully in many alternate ID manuals,

FOR EDUCATIONAL PURPOSES ONLY

④

including EDEN PRESS "THE PAPER TRIP", and CONSUMERTRONICS "SECRET" & "ALTERNATE IDS" and "BY AN ORDER OF THE MAGNITUDE".

(2) Travel and live incognito (this information is provided for educational purposes only):



TRAVEL & LIVE INCOGNITO

There is a subtle distinction between using an alternate ID and living incognito. "Incognito" means, "To live under a disguise or with your identity concealed," whereas to use an alternate ID means to make yourself known under a different name. The implication is that the incognito person wants as few people as possible to know his name - real or false - or to recognize his appearance. In other words to stay low - even physically hidden. The alternate ID person may have a very high profile, and may do nothing to alter his physical appearance.

I've been told that it is almost impossible these days to live incognito in the United States. I always respond that, *Then how is it that Los Angeles has about a million more people than anybody knows who they are?* If I were to guess, at least 10% of the adults living in the United States today are doing so totally incognito, and that at least another 20% purposely maintain a very low profile as a partial form of living incognito. Ironically, we are one country in which a serial killer can go around and kill hundreds of people and no one will have even the faintest idea who he is, but if he bounces a \$2 check, that will stay in his credit bureau files for seven years and plague him every aspect of his life!

There are several methods of living incognito, but whatever method you use, pay for things with cash as much as possible, and live with as few possessions as possible.

(1) Travel constantly by whatever means you can devise.

(2) Live in an isolated part of the country. For example, Appalachia, the northern most Western states (excluding coastal Washington and Oregon), and the deserts of the Southwest.

(3) Live in Mexico and Canada. Or in another country.

(4) Live as a near-homeless person and/or as a slightly crazy person

(5) Live in safe houses.

(6) Live in hiding places.

(1) Constant Travel:

Many people today who don't want to become identified stay on the road constantly. This not only makes you scarce but can also help you considerably function in the underground economy as a courier or

transporter of contraband. It is also an ideal way to live if your type of living will quickly bring attention to you if you start to hang around too long. However, to survive this way, you have to be very physically fit - capable of fighting or fleeing as required - mentally sharp. And very street-wise, as you will be dealing with many strangers, many of whom are predators. You should be

able to assume regional accents and understand regional customs, and have an excellent understanding of geography, topography, and meteorology, as well as of the various transportation systems you will encounter.

Means of transportation should vary as required and range from thumbing it to flying first class. The fewer times that someone sees your face or hears your name, the less the risk. Biking and walking long distances are a plus. You should know how to drive just about every kind of vehicle, as short stints in a stolen vehicle may result as opportunities arise. Generally, except near the Mexican border, buses are safer than commercial planes - you get far less scrutiny. Near the Mexican Border can be a problem because Immigration officials frequently board and inspect buses. Private planes are the safest per mile traveled.

(2) Live in Isolation:

Remote and isolated parts of this country exist all over. You can even find them relatively near very large cities. However, some parts of our country - Appalachia, the Pacific Northwest and the Southwest have the most such places. Some advantages of living like this:

(a) Your exposure to government and commercial snoops is minimal.

(b) It's usually not cost-effective for the government to send someone out to get you unless the wrongdoing is very serious.

(c) If someone does try to make the moves on you, you can usually spot them coming some distance away and will have time to prepare yourself for concealment, flight, or fight. And if you end up having to kill them in self-defense, there will be fewer witnesses and more places to get rid of the evidence.

There are major disadvantages to living in a remote area:

(a) Many people can't tolerate the isolation and boredom.

(b) Living conditions are usually primitive.

(c) The chances of dying from a medical emergency are higher.

(3) Live in a Foreign Country:

In many ways, this is the ultimate means of escape. If you are out of reach of our government,

FOR EDUCATIONAL PURPOSES ONLY

5

they can't mess with you, and won't even try unless you are an international terrorist. There are still nice retirement areas in Mexico and Canada. However; the Mexican situation is getting very much out of hand, and I would tend to steer clear of it. Wherever you live, you will be under the jurisdiction of that country - than sometimes can be worse than living here. However, once you've become established, and you've greased the right palms and made the right friendships, living abroad can often become much more safe and secure than living in a typical American city.

A great method here is to contact seasoned travelers club members, and say something like, "Well Mildred and I are in the process of planning our retirement. We want a change of scenery. If you were going to retire today to a foreign country, where would you go and why?" If their advice looks good, you might then ask them for the names and addresses of contacts in their suggested area.

(4) Near-Homeless/Crazy Person:

This is probably an ideally safe way to go if you've made a decent score and you need to go underground. Or if you are living on retirement, interest or investment income. Buy a wardrobe at the Salvation Army. Rent a cheap furnished apartment with all utilities supplied. Stash your cash in a bank across town. Rent a mail box in one of those mail drops. Draw on savings as you need it. The only time you need to reveal your identity is when you make a bank transaction, and unless you are receiving checks to

your name in the mail, even then it can be done so totally under an alternate ID. Your landlord need never know who you really are. Just be punctual at paying him.

You can even avoid contact yourself when you must make those personal contacts with your bank, post office, etc. Simply hire a wind to do those things for you while you remain concealed outside. He doesn't even have to handle any of your cash. Whatever cash you need, you can withdraw from your bank's ATM.

If you decide to spend much time on the streets, it helps to appear to be a bit crazy. Not crazy enough to get the police involved, but crazy enough so that people will go out of their way to avoid you. That way, you may be noticed but you will never be recognized as someone actually wanted by anybody.

(5) Live in Safe Houses:

During antebellum days, escaping slaves from the South frequently availed themselves of the "underground railroad" and "safe houses" to escape to the North (even Canada) and to live in freedom. More recently, thousands of draft dodgers and deserters spent the Vietnam war hiding out in safe houses. Today, foreign refugees seeking safety from brutal governments there and economic opportunity here, as well as abused women and children, routinely make use of safe houses to stay hidden. In ever war-torn society, whether your talking about World War II Europe or Kuwait after Iraq's invasion, a reliable safe house can spell the difference between life and death, and people spend years in them.

A "safe house" is a home or other building whose occupants are close friends or relatives, or who are sympathetic to your plight, allow you to live with them without becoming known as a member of the house. Especially for women and children, this is the safest way of going. But remember, a safe house is only as safe as its occupants are reliable for keeping secrets.

Safe houses can be operated alone or in a network. In the network situation, you stay a short time at one safe house, then move on to another and so forth. That way, you have more freedoms and are less likely to suffer from cabin fever, but by the time your neighbors begin to get overly curious about you, you're gone. Networking is most frequently done with relatives and churches.

Safe houses can take other forms. A common form is that of the "shack job." Here you live with someone usually about your age, usually for

MAC-V Knives

P.O. Box 177
Carmel, NY 10512

Below retail prices!

Factory and handmade models available. Some unusual pieces; novelties, military, hunting, etc. You name it - we can get it.

Send \$3.00 for factory or custom catalog or call 914-225-7096 for price quote.

romantic reasons, while not being married to them. The house, car, etc. are all in their names. You just occupy their home. Shack jobs are so common these days, that almost no one except old biddies will even remark about them. It is an excellent way to hide out while still maintaining a relatively normal life.

Another form of safe house is the live-in or domestic servant. This works particularly well in richer neighborhoods and around the Mexican border, where almost anyone with a middle class or above lifestyle has at least one domestic.

There are many incapacitated men and women who live alone or semi-alone who would give almost anything to have someone around. Perhaps to nurse them. Or perhaps as just company and a form of security. And if you have some special skills - handy with tools, great at gardening, a super good cook - you can almost write your own ticket. To get on with someone, just refer to the Personals in your newspaper or write your own ad. When the person interviews you and shows some interest in you, you might say something like, *"You know, I've given you my true name. When I used to live in LA, there was this person constantly bothering me for money. Just to be sure that he doesn't find me here to bother me again, it is important to me to live with as low of a profile as possible."*

(6) Live in Hiding Places:

This is more akin to the horror movie about the mutant twin that lives in the attic then living a "normal" life. Many homes

have attic and-or basements that can be easily adapted to hiding a person or people. And other places in a home can be modified to at least temporarily conceal a person. If the home has a crawl space, trap door can be made so that a person can quickly

INSIDE INFORMATION

The First Amendment allows the press to dig out inside information on the operation of the government and present it to the people. As James Madison put it, "[A] people who mean to be their own governors, must arm themselves with the power knowledge gives. A popular government without popular information or the means of acquiring it, is but a prologue to a farce or a tragedy or perhaps both."

Does the common press need or use the First Amendment? Or, does it prefer to regurgitate the press releases and speeches of government officials?

Full Disclosure is different. It investigates and publishes information you need to know about the government and its activities. Full Disclosure was working on an article about an electronic surveillance device, the manufacturer had been visited by the Justice Department and told not to release any information on the device, they also received a letter to the same effect. Full Disclosure published complete details, including pictures.

An association of over 2,300 government officials involved in using electronic surveillance to spy on Americans, held a secret conference. Full Disclosure dug out the information on it. Exhibitor lists, training sessions, and information distributed at the conference was brought into the public light.

Full Disclosure does what it takes to get the information. For example, a February 1986 FBI memo to the Director, states in part, Full Disclosure publisher, "GLEN ROBERTS, whose background is set forth in copies of his tabloid and the 'Ann Arbor News' newscipping, interjected himself into the middle of this surveillance. He monitored and recorded the Agents' transmissions..."

Full Disclosure is published for Truth, Justice and the American Way. It is time for you to see the First Amendment in action. Send in your subscription now and save.

A 12 issue subscription is only \$18.00, a \$6 savings over cover price. A 24 issue subscription is only \$29.95 and includes a FREE copy of the Citizen's Guide On How To Use The Freedom Of Information And Privacy Acts (FOIA Guide), a \$23.05 savings! You must use the order form below, to qualify for these special prices, photocopy ok.

Money Back Guarantee!
If at any time you're not fully satisfied, we'll gladly refund your money for all unmailed issues. The FOIA guide is still yours to keep.

Yes! I'm ready to see the First Amendment in action! EX3

Start my Full Disclosure subscription today:

12 issues, enclosed is \$18.00

24 issues, enclosed is \$29.95 (also send me the FOIA guide for FREE)

FOIA Guide, enclosed is \$5.00

Name: _____

Address: _____

City/State/Zip: _____

Return this form with payment to:

Full Disclosure, Box 903
Libertyville, Illinois 60048.

FOR EDUCATIONAL PURPOSES ONLY

⑦



reading material, some ready-to-eat food, and possibly a floor drain to handle wastes and a person can stay concealed for days if he has to.

The floor of the closet might also open up to an escape tunnel to the outside, particularly to the perimeter of the property. For example, it might open up at a hedgerow, beneath a garbage can platform, etc. An escape tunnel is difficult to implement but often well worth the effort for these reasons:

(1) If someone attempts to burn you out of the house, you can slip into the escape tunnel for safety, and then later at night exit the tunnel and escape.

(2) If your home is taken from you (ex: the banking big-shots steal it from you), you can return to live in it, even if other people later occupy it.

A Neat FAX Trick

Someone heard about this somewhere and decided to pass it

along to us. We don't know where it came from but figured we'd oblige our anonymous contributor. While we don't advocate breaking any laws of course, we do have to admit that it's a fine example of good old American ingenuity and pass it along for educational purposes only to show that there is still a bit of imagination and an inventive spirit left somewhere in this country.

It involves getting a piece of obnoxious artwork and making three photocopies of it. The traditional one was a photocopy of someone's middle finger sticking up but certain unnamed people thought it would be appropriate (and perhaps more interesting) to go for something more heavy duty. The actual suggestions are hardly appropriate for printing here so we'll leave them up to you to think of. After getting three copies of the artwork in question one then attaches them end to end so that they look like three connected pieces of computer printout paper (use scotch tape). You then call the FAX number you desire and feed in the first sheet. This trick would work best after the place is closed for the day or otherwise unoccupied for long periods of time. When the first sheet comes out attach it the same way to the last sheet. This will result in an endless loop of

slide underneath the building for a short period.

Another excellent method is to wall over a closet, and then to build-in some secret means of entry. For example, many homes with hallways have hall closets. However it's not unusual to not find a hall closet in a hallway. If you have a hall closet, pull off the door and door frame. Then construct framing and wallboard over it to match with the hall's wall construction. Then paint/panel/paper the entire hall so that all evidence of the hall closet disappears without a trace.

An entry to the hall closet can be made from the attic, basement, outside or from the room on the other side. The ideal method is if there is a sink and cabinet on the other side of the hall closet. Install a sliding door at the back of the sink cabinet that will take you to the hall closet. Sprinkle around a lot of dead roaches, some white powder that looks like it's deadly poison and a few rusty mousetraps. Then slap in an old mop bucket or basket filled with bleach, drain cleaner and other foul containers to conceal the back of the cabinet and to discourage further inspection. Just below the top of the cabinet, you might run a 1/4-inch copper water line into the closet and put a little faucet on it so that the occupant won't get thirsty. Add a stool, a spare bulb, some

FOR EDUCATIONAL PURPOSES ONLY

8

paper. What happens is that this keeps feeding into the FAX machine transmitting the same image. On the receiving end the FAX machine will most likely run out of paper, be prevented from receiving other calls, and be effectively neutralized.

Like we said before, don't do this as it would probably be construed as an annoyance phone call and/or misuse of telecommunications facilities.

Cybertek Reviews: The MMPI Personality Game

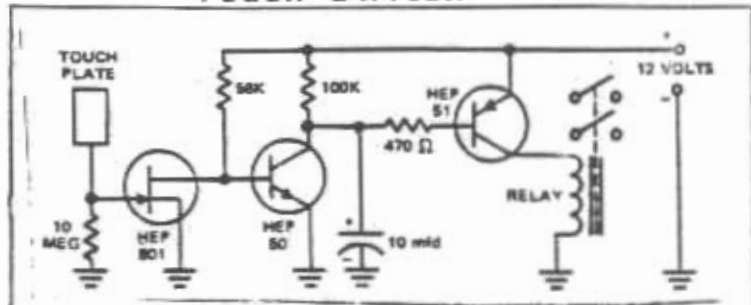
The MMPI is short for The Minnesota Multiphasic Personality Inventory Test. It was conceived in the 1940's as a means to determine and diagnose mental illness. Currently it is (ab)used by industries, corporations and the U.S. Government for the purpose of hiring benefits, criminal guilt assessment and determining mental illness & competency, among other things. It has also seen (ab)use in profile recognition systems by credit bureaus and police agencies.

The MMPI Personality Game is available for IBM-PC or compatibles from Consumertronics, P.O. Drawer 537, Alamogordo, NM 88410 for \$30 + \$3 s/h. This game uses the actual 566 test items of the real MMPI, its validity scale, and its traditional, special and supplementary (50+ of them) scales for a complete psychological determination of the testee.

We received a copy of The MMPI Personality Game loaded it into the PC and took the test. Overall the game was very well done, and functioned smoothly. It was also designed with mono text graphics and will run on any PC Compatible System with at least 256K. It is available in both 3.5 and 5 inch disk versions.

Answering the test items themselves was a blast! After being asked if we ever engaged in unusual sexual practices or had any black tar-like bowel movements we figured this would make the ultimate party game. After showing it at a recent Internet BBS Party we were correct in our assumption when it turned out to be an instant hit. Our amusement changed to disgust and revulsion when it dawned upon us that this test was being arbitrarily used to determine the fate of people's jobs and benefits all according to how they answered 566 true-false questions. The MMPI Personality Game provides a shocking and highly useful insight on the inner workings of the MMPI and other tests that are based upon it. Such insight could prove valuable to the technological survivalist/ cyberpunk as generating the proper profile as decreed by this test can help avoid the resulting harassment and persecution as a

Touch-Switch



This device closes the relay's switches when the touch plate is touched. This can be used for tamperproofing metal objects, or as one of those door-handle alarms. The lead from the touch plate to the HEP801 fet should be as short as possible.

result of coming up abnormal on an MMPI and having one's file getting flagged.

Consumertronics will also be offering a publication entitled **MMPI Defeats!** which will describe what the tests are, how they are used and abused, how "scoring" is done, the profiles produced by the test, and the correct answers to the test items that produce a normal profile. Judging from the quality of their **MMPI Personality Game** this publication should also be a worthwhile addition to the technological survivalist's library.

Williams' Tips for Wrenching Times

by John J. Williams, Consumertronics

(reprinted with permission from

Aug 1980 REBEL)

Ed. Note - We've gotten some correspondence from a few people who were worried about the resultant future from this country's current state of affairs, and decided to present this article on some of the techniques one of the eldest technological survival consultants in the U.S. would recommend. Granted with the upcoming depression, increasing violence in our cities, and the Persian Gulf Crisis perhaps these fears are warranted. This is also not the last word on survival so if you have any comments or something more to contribute to this list please send it to us and we'll put it in a future issue. Like Ben Franklin once said "An ounce of prevention is worth a pound of cure."

1. Store up one year's supply of food. Don't rely upon frozen or canned food but primarily upon wheat and dehydrated & freeze dried foods. Get into gardening if you have the space and keep an ample supply of seed to meet any upcoming crunch. Keep on

hand large containers for storing water to be filled in a hurry when the collapse occurs.

2. If your home cannot be defended against riotous mobs by you and your family alone (that's 90% of them), pick a retreat in a nearby wilderness quickly accessible to you along some direct route that does NOT go through a populated area. Obtain maps of your retreat area, studies of its flora and fauna (Forest Service and game wardens), and camp on a regular basis in your area all year around to become accustomed to its feel and defensibility. NOTE: If you live in a large city your best bet, as poor as it is, is to establish your retreat in your city neighborhood. When the collapse occurs, if you panic and try to make a wild dash to the country, you will end up doing it mostly on foot (all roads will become blocked beyond resolution) and you will likely die in the process. (ed. note - A possible course of action would be to simply wait out the initial surge of people "heading for the hills" and then make a quick powerful tactical-style move to your retreat. However, you may find it already occupied and have to either locate an alternate or force out the party already there. The way may also be completely impassable as a result of the initial surge of refugees.)

(One group I heard of has planned to blow out a couple bridges leading to their town when the collapse occurs to prevent the human wave from descending upon it.) You could also determine a set of conditions that would warrant you leaving early should they occur.

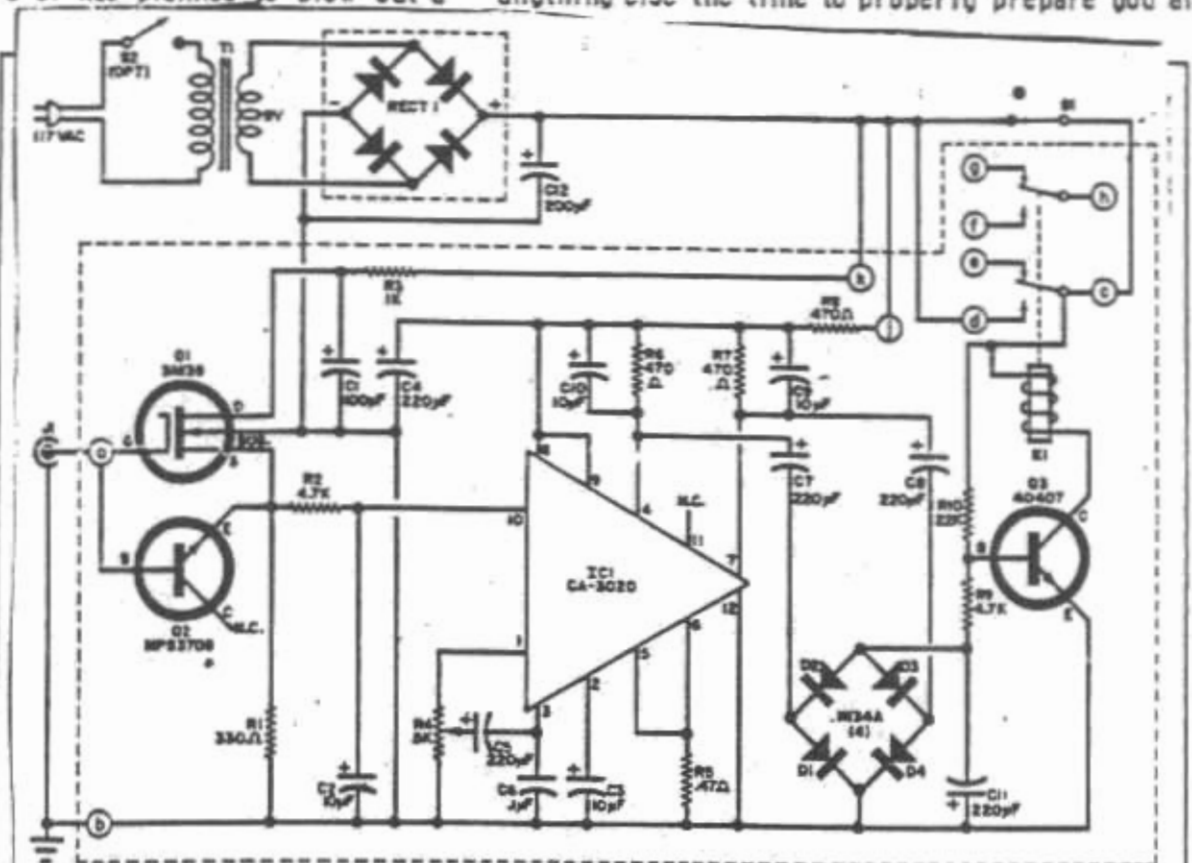
That way, you would be all settled in when the actual collapse occurs and at a marked advantage.)

3. Carefully choose a survival arsenal. For every person in your group age 10 and over you should have one semi-automatic rifle (.223 or

.308). In addition each person over 10 should have a reliable auto-pistol (9mm or .45), and the group should have a collection of .22 rimfire rifles, high powered revolvers, and shotguns. Finally, the group must have at least one highly-accurate (scope mounted) bolt-action rifle of high caliber (.308, .30-06, 7mm Magnum, etc.) Adequate ammunition stores must be provided for EACH gun in the arsenal, as well as all the things that go with guns (repair parts, reloading equipment, ammo components, extra magazines, bandoliers, holsters, cleaning equipment, ammo boxes, carrying cases, etc.). For a more comprehensive listing see **Survival Guns & Ammo**.

4. Store up other survival components such as many hand tools, heavy-duty "work" clothes, medicines & medical supplies, communications equipment, energy supplies, hygienic supplies, camping equipment & supplies, ropes, bags, boxes, fishing equipment, fire starters, etc., etc.

5. Rough it! Cut your standard of living - particularly pleasure vacations. Do NOT get a second job or make any outstanding efforts to pay off consumer debts costing 2% or more below your inflationary rate. Right now, you need more than anything else the time to properly prepare you and



When a person gets within a few feet of the antenna hooked up to J1, this circuit detects a change in capacitance between the antenna & ground, energizing the relay.

your loved ones' survival when the collapse occurs. Having all the gear on hand is only 50% of the survival effort - you must be practiced and knowledgeable with their uses. When the crunch hits, if you don't start high on the survival learning curve, chances are you won't live beyond the first month.

6. Do NOT invest in one bag of silver coins per family member as Howard Ruff suggests! Believe me, they'll be few active coin collectors around after the shit hits the fan! Silver MAY be worth something, then again you coins may be as valuable as Confederate dollars were after the Civil War. But ammo will certainly become extremely valuable. Your best bet is .22 LR and shotgun ammo (12 gauge only) - these items translate directly into physical survival. So, after you have satisfied all of your other survival needs, invest ALL of your extra money into guns and ammo - particularly ammo! (ed. note - There will also be other things that would be as worthwhile to stock up on for bartering use. Bartering is also handy for use today as it doesn't require money and is as untraceable as cash. We'll be doing articles on bartering and stockpiling soon, and I'm also working on writing a book about it in the not too distant future.)

7. Get into excellent physical condition. Play some racket ball sport to build speed, coordination, and maneuverability; lift weights to build substantial upper body strength; and run (I didn't say jog) on steep inclines and rough terrain to build endurance and leg power. But start gradually and work steadily (you don't want to injure yourself in your enthusiasm) and get yourself checked out by a physician.

Super Garage Door Opener by The Black Manta

Imagine yourself walking down the street when all of a sudden you see some large truck pull up to a garage door. A moment passes, then the door opens and the truck passes through and the door closes. All by itself. Your curiosity is just eating you up and you would love to know what is behind that door. Well now you can, using your existing garage door opener, you can add on a circuit to go through all of the different combinations of codes.

Now of course some garage door openers operate on different frequencies. I guess you will just have to get a garage door opener for all of them if you are really into this stuff, or you can build a universal garage door transmitter that is tunable between 300 - 360 Mhz. But that is not what we are going to

cover. Anyway, the circuit is pretty basic. It uses a 555 timer as a pulse generator to transmit pulses to a binary counter. Each pulse will increment the binary counter by one. You can adjust the speed of the counting by turning R1. Go ahead and experiment to find just the right speed to use. Switch one is for resetting the count back to the beginning.

As you may notice, the schematics don't show how to connect directly to the garage door opener. What I do is this. First you must desolder the DIP switches from the door opener and solder a IC Socket into where the Dip switches were (This will allow you to put the Dip switches back when operating in normal mode). Second you should connect the output to a wirewrap IC socket. If you mount the IC socket on your pc or perfboard you can use the socket to plug right in to the door opener. When connecting the output, be sure that the connections on the wirewrap socket correspond to the ON setting of the dip switches. If you have any problems or questions you can call the BBS @ 206-361-5742 or write me at:

Cybertek Magazine
P. O. Box 64
Brewster NY, 10509
ATTN: The Black Manta

Parts List

=====

Resistors

R1 - PC mount 100k Potentiometer
R2 - 1K Ohm 1/4 Watt

Capacitors

C1 - 22MFD

Integrated Circuits

IC1 - 555CP Timer
IC2 - CD4040BE 12 stage binary counter

Misc

LED1 - 10 Light Emitting Diodes
S1 - Normally Closed Momentary Push Button Switch
Perfboard
9V Battery
Battery holder
Battery Clip



FOR EDUCATIONAL PURPOSES ONLY

(11)

Countermeasures, Volume II

← "Driving Tips"

by Thomas Icom

Motor vehicles are probably the most common form of transportation used today. Perhaps this is why most people involved in an operation get busted while driving. In New York & many other states, your rights are nonexistent while you're behind the wheel, and you can get pulled over and searched for any reason. So, to stay out of trouble and avoid any problems that might result in getting pulled over, I've put together some guidelines that should help keep you out of trouble while you're on the road.

1. Keep tabs on the local law enforcement agencies. While most cops are more or less decent and won't bother you as long as your not driving recklessly, there are a few bad apples who will bother you for whatever reason. Also, remember that you have no rights on the road. You're fair game for any reason. Get ahold of a mobile scanner and hide it behind your dashboard or in a seat. Scanners are illegal to have in vehicles in some states and much frowned upon in others. Run a remote speaker to a convenient but hidden spot with a hidden switch to turn it off. This way they can't see anything that looks suspicious, and you can cut out the audio quick if you get stopped. Also remember to program in secondary car-to-car and mobile to base frequencies. This will give you an indication of law enforcement activity near by you and allow you to take appropriate action should your plates get checked all of the sudden.

2. Drive at the proper speed. By that I mean not too fast and not too slow. Not only can you get pulled over for speeding, but if you drive too slow, you'll get pulled over for being suspicious.

3. Know your geography. Intimate knowledge of the roads in your area of operations is essential. This way, you can take alternate routes if there is an obstruction down the road as well as know what roads not to take so you don't make an evasive turn into a dead-end street.

4. Stay off well-traveled roads whenever possible. You're less likely to get stopped on a secondary road.

5. Drive something appropriate looking for your locale. If you drive something too fancy or too beat-up you will attract more attention to yourself.

6. Keep anything attention getting out of sight. If you get stopped, and nothing is visible, then there is less

cause for them to search your vehicle.

7. Obey all the traffic laws. This is common sense, but many people who were wanted criminals got nailed by a simple traffic infraction stop.

8. If you get pulled over, be polite even you are insulted and harassed. Also, don't make any sudden moves. Again, common sense, but some stupid people think that they have to mouth-off when they get pulled over and given a hard time. They're the ones who usually get busted.

Surplus Weapons

by The Omega Man

People looking for inexpensive weaponry would be well served by checking out some of the surplus stuff that has been out on the market for the past couple years. Most is of good quality, and a working firearm can be purchased for well under \$200. This is excellent when you consider that similar, new civilian pieces cost considerably more. If you are on a limited budget surplus is the way to go.

One of the best & most versatile firearms being sold on the surplus market is the M1 Garand. This is an 8 shot semi-automatic rifle which uses the .30-06 caliber round. It was our standard infantry weapon during WWII and the Korean Conflict, and has the reputation for being accurate at long ranges and reliable. It's ammunition is commonly available in many different configurations making it extremely versatile in a wide variety of situations. The .30-06 being a popular hunting round, I feel that scrounging ammo for this weapon would be no problem. Parts and technical info is widely available.

From the same time period as the M1 Garand is the M1 Carbine. This is a smaller piece and was designed during WWII as a replacement for the pistol to be issued to combat-support personnel who would find the M1 Garand too big and cumbersome. This is another semi-automatic that fires the .30 cal. carbine cartridge. Shot capacity is either 15 or 30 rounds depending on the size of magazine used. This would be a nice rifle for someone small in stature, as it is very easy to handle. However, I have heard conflicting reports of the adequacy of the .30 cal. carbine cartridge. It also, being a carbine and firing a smaller round, doesn't have the reach of its bigger cousin.

The British Lee Enfield Bolt Action rifle first entered service in WWI, and even today a variation sees service as a sniper rifle. It's fed by a 10 shot removable magazine and fires the British .303 cal round which is comparable to the .30-06. Accuracy is excellent, and the Enfield is one of the quickest bolt

actions made. The .303 British cartridge has been increasing somewhat in popularity over here as a hunting round and should become more available.

One other weapon which warrants some attention is the SKS. This 7.62mmx39 cal. (7.62mm Soviet) 10 round semi-auto is inexpensive, rugged and the standard Soviet weapon before the AK-47. The accuracy is a bit lacking but it is nevertheless quite adequate for most purposes. There are also a lot of accessories available for it. The 7.62x39 round is comparable to the Winchester .30-30 and has adequate stopping power for animals up to deer size. I would tend to think the SKS would make a nice brush rifle for use in heavily wooded and enclosed areas where you need a little more punch.

There are also some other surplus bolt actions from Spain, Sweden, Switzerland, and other countries. While very inexpensive I would not recommend them as ammunition availability and on occasion parts are a problem. Some however have been converted over to more common calibers and would warrant consideration. Probably about the best of these are the variations of the German Mauser bolt action rifle. The Mauser was what our M1903 Springfield was patterned after and is a good weapon in it's various incarnations.

When shopping for a surplus weapon a little bit of caution is in order as while it is uncommon if you find a reputable dealer, there is some junk out there.

If you are not confident in judging used weapon quality, get a knowledgeable friend to help you. And as always, get some spare parts and related support equipment to keep it going, and get some training if you're just starting out so you'll know what you're doing.

up to two different phone lines, which connects them together when a call is made on either line. In other words, I call into line A, you call into line B, and the cheesebox connects us together. Or, in another variation, you call into line A, and get line B's dial tone so you can call out.

A cheesebox has many different applications. Say you want to someone to contact you without giving them your number. Install the cheesebox on two convenient lines in a bridging head down the road or in in another state, and give the party one of the #'s. Or, what if you want to make an untraceable phone call? Install the out-dial variation and call into line A. Then the ANI readout will register line B. A dial-out cheesebox can be used as a call forwarder. Simply build an autodialer or purchase a Zoom Telephonics Hotshot and install it on the outgoing line. Then, when a call comes in, it'll be automatically be re-routed out through the other line to the number of your choice. You can also install a multi-line version of the cheesebox and set up your own conference bridge.

Circuit Explanation

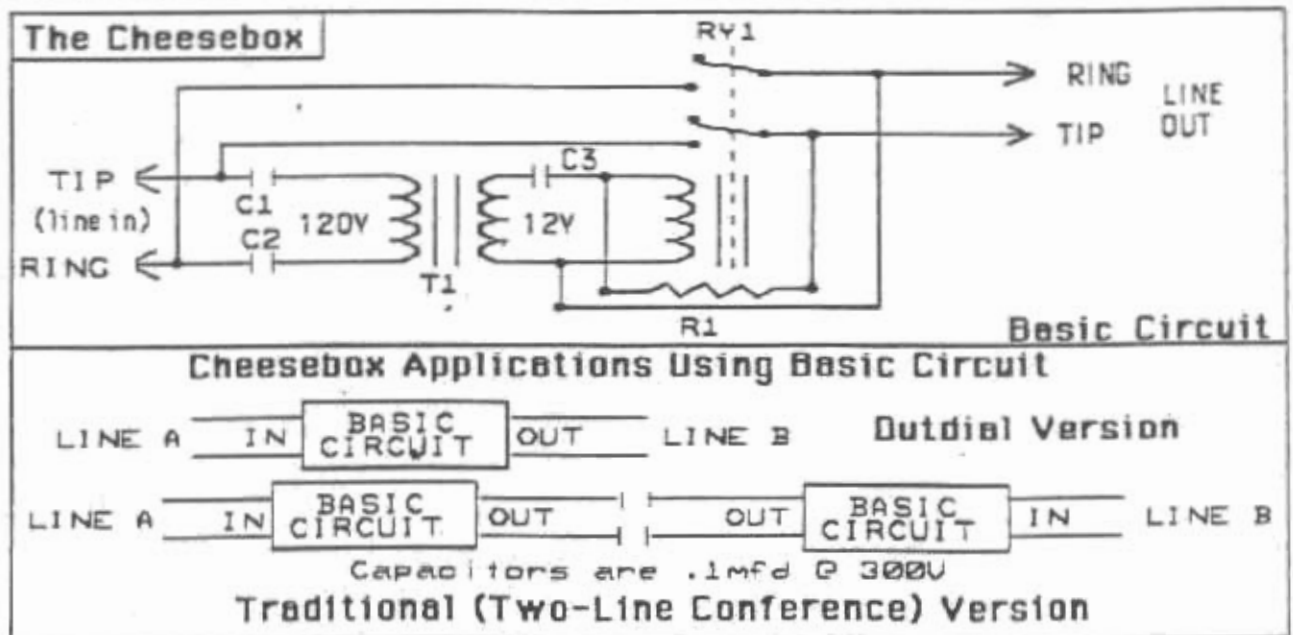
The way this device works is real simple. When LINE IN rings, the AC signal is stepped down to an acceptable voltage to power the relay coil. When that occurs, the relay switch contacts close putting a load (1000 ohms) across the line to simulate an off-hook condition. At the same time it connects LINE IN to LINE OUT.

The basic circuit shown is what's used for the outdial version. Pretty simple; you call into LINE A and get LINE B's dial tone. The traditional (two-line conference) version is two basic circuits hooked up as shown via two .1Mfd capacitors. One can also add

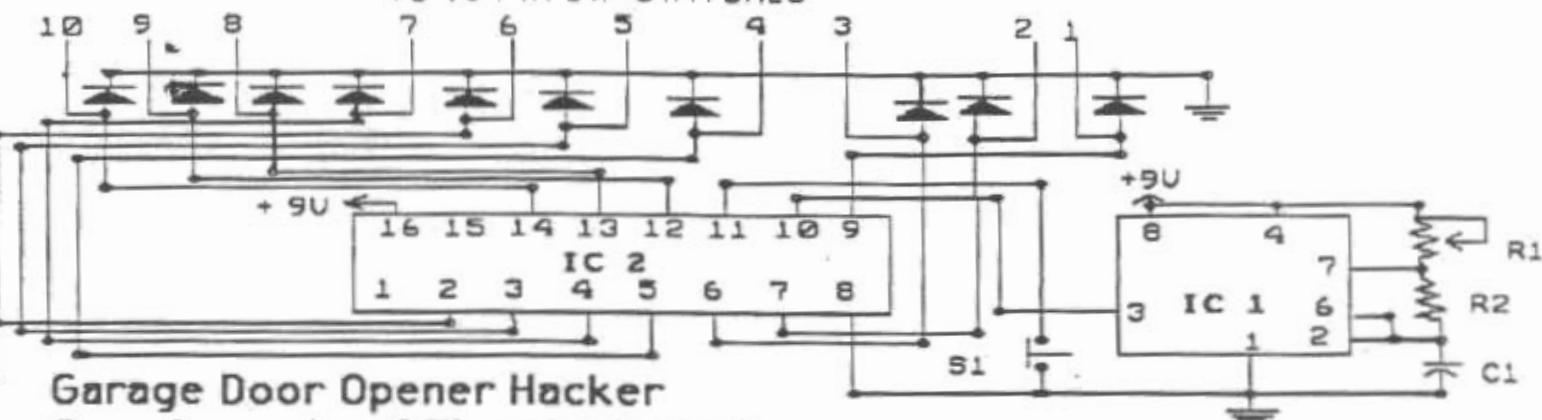
The Cheesebox

by
Thomas Icom

A cheesebox is probably one of the most useful tools a phone-using technological survivalist could have. It is named after the type of box that the first confiscated device was found in. A cheesebox is a device, hooked



TO 10 PIN DIP SWITCHES



**Garage Door Opener Hacker
Complements of The Black Manta**

more lines just by taking an additional basic circuit and hooking it up to the others with LINE OUT isolated by two .1Mfd capacitors.

Parts List

- =====
 C1-C3 .1Mfd capacitors
 T1 120-12V transformer
 RY1 12V coil, DPDT relay
 R1 Resistor. The combined resistance of R1 and RY1's coil should equal 1000 ohms.
 Alligator clips for hooking into the phone lines.

WE NEED YOUR HELP!

Cybertek: The Cyberpunk Technical Journal is quickly becoming the #1 periodical source for hard-to-find practical technological survival information, BUT we need your help in the form of articles, issuely columns, letters, and any other type of feedback & information. Submissions are accepted on hardcopy, or on MSDOS DS/DD (360K) 5 1/4" floppy disks. If you contribute something you will receive two free issues added on to your subscription. For substantial information contributions, we will give you a **free 1 year subscription**. To get a **free subscription** the information must be over 16 Kilobytes in size, and consist of all original material. We are very interested in the following topics:

- * How to get even for Corporate Takeovers and Greenmail - Even if you're Just an Employee
- * Creative Ways to Use Your Computer & Phone to survive now and on "The Day After"
- * Using creative TEMPEST and Van Eck Surveillance Methods
- * Computer Network and LAN Hacking Methods
- * Creative and Esoteric Computer Programming and Hacking Techniques
- * How to prevent Governments and big Businesses from Invading Your Privacy
- * How to Effectively Deal with Bureaucrats Who

Harass You

- * Specific Indications of the Upcoming Total Economic Collapse and the Specific Actions to Take, Timed Just Right, to Maximize Your Survival
- * Improvised Guns and Silencers
- * Improvised Weapons - Cheap, Easy to Make, and Very Effective - You can Build and Use to Protect Against Assaults
- * Food Additives that Cause Cancer and Other Illnesses
- * Foods that Prevent and/or Cure Cancer and Other Illnesses
- * How to Build, Plant, and Detect Bugs, Taps, and Bumper Beepers
- * Creative and Esoteric Radio Communications Techniques & Equipment Schematics - Frequency Hopping & Spread Spectrum Radio Plans
- * How to Encrypt and Hide Computer Data
- * Information on stockpiling, scrounging, and bartering.
- * Easy Food Preservation Techniques.
- * Secret Hiding Places in Your Car/RV/Home/Farm/Business
- * How to Build Trapdoors, and Secret Tunnels and Living Spaces so that You can Secretly Access Your Home, Farm, or Business After it's Taken From You.
- * How to Prepare Your Home, Farm, or Business After it's Been Taken From you, so that You Get the Last Laugh.
- * How to Organize Neighborhood Watch, Protection, and Vigilante Groups.
- * Urban/Suburban/Rural/Wilderness Survival after "The Shit Hits the Fan"
- * Interesting and useful electronic circuits.
- * Modifying existing electronic and other equipment for "special purposes"

If you have any info on these topics, please send it to us, so we can get the word out! And if you have a topic you'd like to write about that isn't listed here send it in because we might be very interested in it. Thanks in advance for your help!

FOR EDUCATIONAL

PURPOSES ONLY

(14)