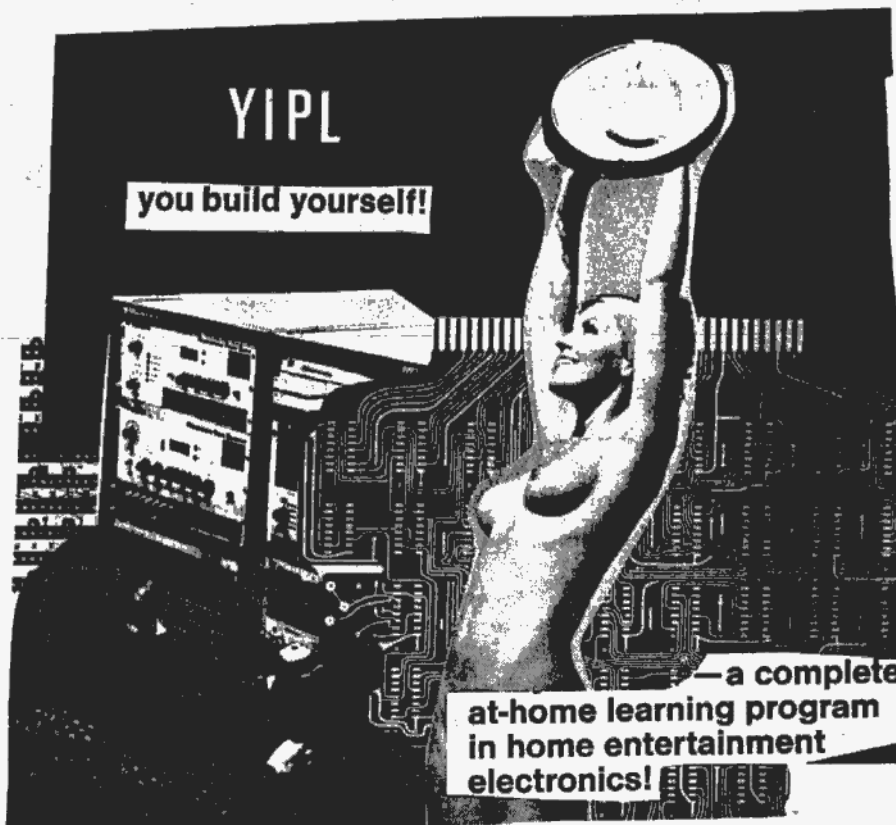


feb. 1973 no.16

ALL NEW

RED BOX



THE YOUTH INTERNATIONAL PARTY LINE

Dear YIPL,

In issue no. 15 the "T" network does not work for the Southern New England Bell Co. system because coin return etc. still works with only red and green wires, even when yellow is cut. (there is no black for S. N. E. T.)

Collect calls are accepted always at a certain pay phone in a dorm. Could this mean that it is being tapped? If so, how can I tell? Is there any way that I still can work the "T" network?
-DESTROY- CONNECTICUT.

In certain places the pay phone uses a ground wire separate from the phone line cable. Look for a wire to a nearby pipe, or to an electric fixture plate. Otherwise, try reversing the polarity of the red and green wires, this should reverse all collect and return signals.

Pay phones that don't start with 99 or 98 in the last four digits are good targets for collect calls. Operators usually don't accept calls to most pay phones because they recognize the #.

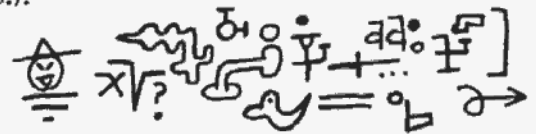
Sirs,

In writing to receive your publications my sole interest was in gaining knowledge about electrical systems. Yet, upon receiving some back issues (ordered 11/72) I have found the political motivation of your organization totally contrary to my own. My interests certainly do not lie in "ripping off" the Bell system. Eventual reform in society must come from more concrete and beneficial works (this being the primary idea behind my involvement with UNICEF).

Because of the misunderstanding initiating our contact, I must demand that all further communications cease immediately. -D. C. -N. Y.

YIPL has determined, after exhaustive testing, that the economy has taken a turn toward heaven, thus tempting us to raise our prices. Of course, we wouldn't think of doing that to you, our money-drained devotees. So we decided that the only way to keep YIPL's price down is to increase circulation immediately. That means either every YIPL has to sign up one friend, or a few YIPLs have to sign up several friends. You people are taking part in the greatest man vs. machine drama ever to unfold in the history of civilization, and you can help to make it a lot of fun, so help out, O.K.? Don't forget that the more people we have, the more we have to intimidate Bell with, the more information we get to use and people to use it, and the more people who will save money on expensive calls talking to loved ones(Aw, shucks!).

hot to print!?



We've only gotten a few responses to our Destructory Assistance department that we introduced last month, which is a shame because we've already got a wealth of great information ready to trade for other phone info. Also we have a special interest in city codes for foreign countries which we're compiling into a master list, along with good telephone numbers to call overseas, which we will be publishing regularly. We've got schematics for various versions of blue and red boxes, and general info on same. So send us info, a stamped self-addressed envelope, and if you want some specific info we'll try to get it for you, as much as you send us. Write "Destructory Assistance" at the head of the letter so we know what its for. Do it today!



CONSTRUCTION

The largest units in the red box are the telephone earpiece and battery. Since the unit works on 9V and has no coils, 10V parts can be used. The push buttons are high quality units that won't bounce on you and fire the box twice. Grayhill makes some good ones. Snap action are the best, but they make noise when you hold the box up to the phone.

Different earpieces or speakers will produce different volumes. If a low impedance (8-32ohms) speaker is used, less volume and more battery drain will result. Increase the value of the 10 mfd. output capacitor with low impedance speakers, and increase 22K gain resistor if necessary.

Remember, with a red box you are going to play it for an operator who will easily recognise a faulty tone pulse. So make your solder connections tight & use good switches. Cover the speaker holes with a small patch of thin foam to prevent gook from flying into the magnet.

OPERATING PRINCIPLES

The red box consists of four sections, the oscillator, the flip-flop, the timer and the amplifier. To understand how these produce the necessary tones we'll take for example a dime sound. A dime is two pulses of 2200 cycles, each being 60 milleseconds long, with a 60 ms. space between them. When you press the 10¢ button, the flip-flop starts turning on and off, on for 60 ms. and off for 60 ms., continuously. This in turn shorts out the oscillator, producing on and off pulses to be fed to the amplifier and speaker. How do we get only 2 beeps? Well, when you press the button, the timer starts. After 180 ms. it turns off the flip-flop, thus stopping the tones. Other sounds are produced by changing the speed of the flip-flop and the delay of the timer. Also, the two RC pairs of 1M and .047 pulse the timer and the shorting transistor, to start the timer and flip-flop at the same time. Current drain is approx. 7 ma, so don't worry about the battery. You will hear some leakage after the tone sounds if you keep holding the button down, but this is alright if it's faint or if you let go.

TUNING

First, adjust the 30K oscillator trimmer to produce a beep when a button is pushed. Then, simply call a friend at a pay phone and have him deposit money. Tune the oscillator to the same pitch as the beeps you hear. If the oscillator is too high, raise the .0033 cap to .0047. If the range of the trimmer is too small, add a 30K series resistor.

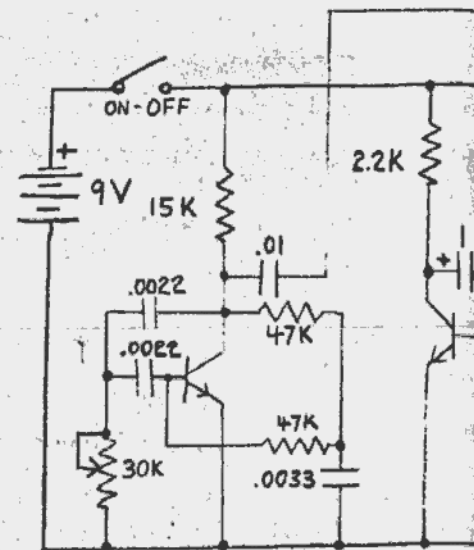
Now, you should get one, two, and 5 beeps for 5, 10, and 25. If not, you'll need to adjust a bit. If you get only 4 beeps for 25, raise the 620K resistor. This may, however, change the 5 and 10 beeps. The 680K resistor is the number of beeps for the dime, and the 120K is for the 5 button.

The 150K resistor controls the speed of the flip-flop for 25. If you get 5 beeps, but they're too slow compared to the phone your friend is at, you can speed them up by lowering it. This will give you more beeps, however, in the same period of time that used to give you 5 beeps. So then you should lower the 620K until you get 5 beeps again, and then check for proper beeps on the other buttons. Always adjust 25 first, then do 5 and 10.

- 5¢ = 60 on
- 10¢ = 60 on, 60 off, 60 on
- 25¢ = 35 on, 35 off(5 times)

CALLING

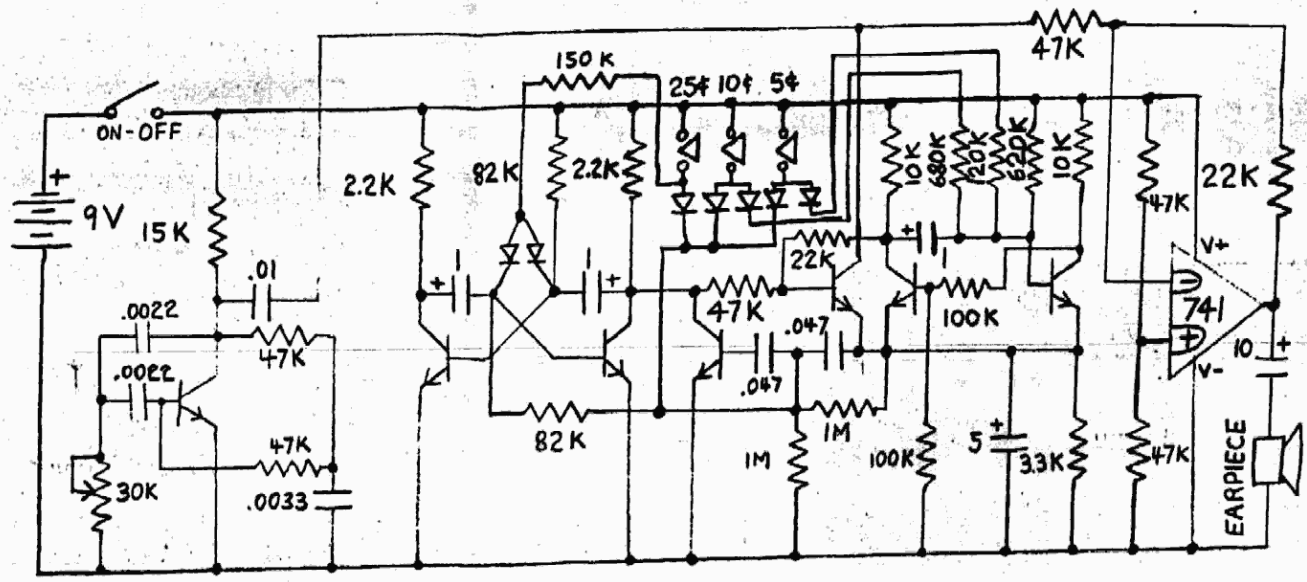
Go to a pay phone, dial your number direct(after depositing a dime)(or 20¢) and when the operator comes on she'll ask for more money, and possibly even return your dime. Now, very slowly and quietly put the red box up to the mouth-piece and press one button per coin, and be sure to pause several seconds in between each coin, just as if you were reaching for the money in your pocket and fumbling to put in the coins. If the operator gets suspicious it could be for two reasons; first, you may be off tune or off speed. In that case tune it. Second, the operator may be suspicious because in some areas a visual indication of insertion of coins is provided for the operator.. So the operator may say something like "I'm sorry, sir, but that didn't register". Just mosey along to another phone booth. You'll find the red box is the safest box to use and easy and fun to use, too. Even the operator will thank you!



All resistors are in ohms, 1/4 Watt, electrolytic. Smaller capacitors should be electrolytic. Earpiece is a standard phone earpiece similar to 1N914 or anything else. Transistors are all 2N2222, or SK3028.



TEL-COM is a computer designed by engineers. It is essentially a telephone corded message. It can be programmed for 50,000 homes before being reprogrammed. If your line is busy it waits and calls you back. It laughs when you're taking a bath, or just when you're in the house. (sic!)... Then there's the "phreak" which is merely asking phone-phreaks to spend a few minutes everyday dialing 1 and whistling (or blue boxing) 2600 Hz, an open line hanging up. This will act as a company's foller with a false alarm. I know this, well you know the answer to this. Bell Telephone campaign and PR sheet of all coin phones, in New York, were any given time. However, a recent YI phones in the Manhattan area showed 8. The name of a Midtown restaurant, Ma to go in and try the specialty of the hour. Although there were many empty tables would have to wait because they were full. I got a seat but had to explain so many times what we wanted that we blew another 15 minutes. The waitress came back with the wrong order. The first order of onion rings was unblessed. I said to hidden costs. (It was nice of them they couldn't tell us what the hidden costs were. We got the onion rings we refused to pay. The bouncer stepped up next to us and told us that next time we came here and ordered credit. They couldn't understand that their own onion rings.



All resistors are in ohms, 1/4 Watt, 5%. Capacitors above or equal to 1 Mfd. are electrolytic. Smaller capacitors should be epoxy or mylar hi-quality capacitors.
 Earpiece is a standard phone earpiece, and diodes are small signal, silicon, similar to 1N914 or anything else.
 Transistors are all 2N2222, or SK3020, or Hep 55.

IMPORTANT NOTICE
 ... about the enclosed 1973 telephone credit card.



TEL-COM is a computer designed by two San Francisco engineers. It is essentially a telephone caller with a recorded message. It can be programmed to call up to 50,000 homes before being reprogrammed. Oh yes, if your line is busy it waits and calls you back. A lot of laughs when your taking a bath, or just sleeping around the house. (sic)... Then there's the "fone freak foiler foiler" which is merely asking phone-phreaks everywhere to spend a few minutes everyday dialing long distance info and whistling (or blue boxing) 2600 Hz and after getting an open line hanging up. This will activate the telephone company's foiler with a false alarm. If enough people do this, well you know the answer to this one... A recent Bell Telephone campaign and PR sheet claimed that 90% of all coin phones, in New York, were in working order at any given time. However, a recent YIPL survey of coin phones in the Manhattan area showed 83% out of order... The name of a Midtown restaurant, Ma Bells. We decided to go in and try the specialty of the house, fried onion rings. Although there were many empty tables they told us we would have to wait because they were too busy. We finally got a seat but had to explain so many times to the waitress what we wanted that we blew another 15 minutes. Finally the waitress came back with the wrong order. The bill for just one order of onion rings was unbelievably high, due they said to hidden costs. (it was nice of them to let us know they couldn't tell us what the hidden costs were) Since we never got the onion rings we refused to pay. A big burly looking bouncer stepped up next to us and told us we'd have to pay, but that next time we came here and ordered onion rings we'd have credit. They couldn't understand that next time we'd make our own onion rings.

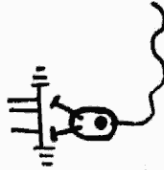
To make certain no unauthorized person is using your card, the telephone operators who handle credit card calls may ask you a question or two whenever you place such a call. They're the type of question that can be answered easily and quickly by a person having a credit card, but should discourage an unauthorized user from trying to complete the call. We hope you'll understand that our operators will be doing this for your protection and ours. As an added precaution we urge you to treat this card as you do your other credit cards:

- Notify your Business Office representative at once if it is lost or stolen.
- Do not give the card or number to anyone else to use.

Thank you for your cooperation.



Since credit card owners are receiving these notices with their new credit cards we can expect to play some games with the operators this year. Don't sweat, the questions are only designed to scare you and make you hang up, thus giving it away. Though you might get a few questions like the name of the company, city or area code of the credit card number, you'll have no problem if you keep cool. The operator knows at most the name of the city and area code, not the company's name. So have your number memorized, and if you need the code numbers for certain cities, get YIPL #8, and be sure to read our reprint on making credit card calls. Also write in and tell us what kind of questions operators are asking in your part of the country.

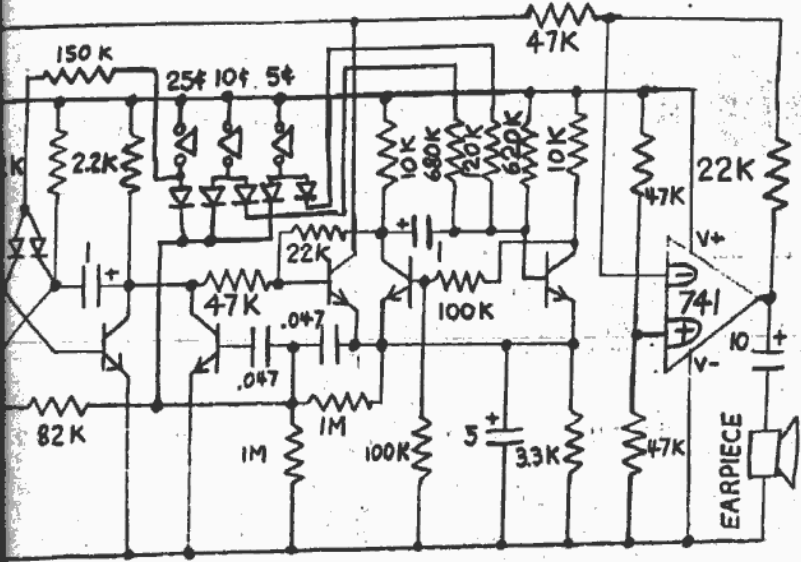


Dear
 Jus
 in the
 is my
 Off
 can be
 consti
 how w
 advan
 social
 with t
 Willia
 Grove
 knowk
 "THE
 I have
 -YOU

Dear
 You
 cheat
 by sli
 goes
 bend
 nickel
 size
 Somel
 West
 other
 ies al
 of E.
 teleph
 Don
 outfit
 ELEC
 MF B
 order
 Bell h
 why h
 should
 opene
 basis
 not go
 R. S. -

Sirs;
 Ca
 imm
 has n
 paper
 sende

Dear
 For
 weath
 weath
 time:
 Wire
 (direc
 (sound
 top se
 -L. A.



Capacitors above or equal to 1 Mfd. are to be epoxy or mylar hi-quality capacitors. Diodes are small signal, silicon, sim- or Hep 55.

IMPORTANT NOTICE
... about the enclosed 1973 telephone credit card.

Two San Francisco callers with a record to call up to... Oh yes, if back. A lot of sleeping around... "freak foiler foiler" everywhere to... distance info... after getting... the telephone... enough people do... A recent... claimed that 90%... working order at... survey of coin... out of order... calls. We decided... fried onion rings. They told us we... busy. We finally... es to the waitress... minutes. Finally... order. The bill for... veably high, due they... to let us know they... e). Since we never... big burly looking... we'd have to pay, but... onion rings we'd have... time we'd make our

To make certain no unauthorized person is using your card, the telephone operators who handle credit card calls may ask you a question or two whenever you place such a call. They're the type of question that can be answered easily and quickly by a person having a credit card, but should discourage an unauthorized user from trying to complete the call. We hope you'll understand that our operators will be doing this for your protection and ours. As an added precaution we urge you to treat this card as you do your other credit cards:

- Notify your Business Office representative at once if it is lost or stolen.
- Do not give the card or number to anyone else to use.

Thank you for your cooperation.



Since credit card owners are receiving these notices with their new credit cards we can expect to play some games with the operators this year. Don't sweat, the questions are only designed to scare you and make you hang up, thus giving it away. Though you might get a few questions like the name of the company, city or area code of the credit card number, you'll have no problem if you keep cool. The operator knows at most the name of the city and area code, not the company's name. So have your number memorized, and if you need the code numbers for certain cities, get YIPL #8, and be sure to read our reprint on making credit card calls. Also write in and tell us what kind of questions operators are asking in your part of the country.



Dear Friends,
Just finished reading "Happiness is a Blue Box" in the Yipster Times and all I can say is here is my 2 dollars for the YIPL.
Off the subject of phones, tape recorders can be a powerful tool in challenging your construct of the world and to understand how words manipulate (which can be used to your advantage). Tape recorders can be used for social change. For fairly extensive experiments with the tape recorder, read "THE JOB" by William Burroughs (Naked Lunch) published by Grove Press. Only in hardcover to the best of my knowledge, but some libraries have it. Read "THE JOB" if at all possible-most exciting book I have come across in many a year.
-YOURS TRULY C. K. -MICHIGAN.

Dear YIPL
You might tell your readers that it's illegal to cheat some of the old tray-type change machines by slitting a dollar bill [drawing] so the little lever goes thru instead of pushing it into the hopper; bend the tail off one type of pop-top and use it for a nickel in a parking meter; use any of the standard size pennies turned out by the British mint for sometime colonies (New Zealand, Fiji, Bahamas, West Indies, etc.) as dimes in one-slot phones and other places. You might also stock some other goodies along with the reprints, such as an updated version of E. Blotnick's expose of credit card fraud (the non-telephone type) from Scanlan's.
Don Britton's newsletter says DB Ent. was the outfit that offered bluebox plans in POPULAR ELECTRONIC's way back when, and that MF Bell must have gotten addresses of people who ordered them by intercepting first class mail. Bell has been after him ever since, maybe it's why he moved to Hawaii. A local source, who should know, says that mail from overseas is opened (and translated at need) on a regular basis in Oakland. Foreign correspondents should not go unwarned. -FUCK THE PHONE COMPANY R. S. - BERKELEY, CA.

Sirs;
Cancel my sons subscription to your paper immediately, please. He is 14 years of age and has no interest in it. He only subscribed to your paper just to see if it actually existed. Any more papers mailed to our address will be returned to sender. Thank you, -KH, N. Y. -

Dear YIPL,
For practice dialing overseas: London weather: KP 044 1 246 8091 ST, Australia weather (Sidney): KP 061 3 6064 ST, Australia time: KP 061 2 2074 ST, Free Telephone Co. News Wire Service anywhere in the U.S. and Canada (direct dialed): 212 394-1212. Listen to Helen Banks (sounds like Shirley Booth) and Marian Warshaw give top secret (ha) telephone company news twice a day. -L. A. -BKLYN, N. Y.

Allende Accuses ITT in UN

By JERRY CLAPSO
Of The News UN Bureau

Chile's Marxist President Salvador Allende, addressing a packed United Nations General Assembly, accused the International Telephone & Telegraph Co. yesterday of "attempting to bring about a civil war" in his country to retaliate against his nationalization policies.



NEWS photo by Jim Garrett
Chile's President Allende addresses UN General Assembly.

"We are not only enduring a financial blockade, but are also victims of downright aggression," Allende said.

He said United States companies began acting against his government after it nationalized several industries, including copper and telephone communications.

Although he did not attack the U.S. directly, he charged that "capitalistic imperialism" was responsible for his country's ailing and backward economy.

He charged that ITT tried to prevent him from taking office after his 1970 election through a "sinister plan" that included "terrorist attacks planned outside Chile" and which culminated in the assassination of the army commander in chief, Gen. René Schneider.

"It was clear that the purpose was to drag us into civil war, the utmost degree of disintegration for our country," Allende said.

1970-71 Documents

Last March, he said, documents had been unearthed in which ITT suggested in 1970 that the U.S. intervene in Chilean affairs. He said another document, dated October 1971, showed that ITT proposed a "new plan of action" aimed at the overthrow of his Socialist government in six months.

Allende said his country was also involved in a struggle against "aggression" by Kennecott Copper Corp.

Kennecott has brought court suits in several Western nations to prevent delivery of Chilean copper. Allende said this caused his country's copper industry grave harm, and its credit rating and drawing power with international, European and U.S. banks have been seriously impaired.

U.S. Ambassador George Bush denied any U.S. involvement in the hassle between Chile, ITT and Kennecott, and told reporters he took exception to Allende's insinuation of indirect U.S. responsibility for alleged economic strangulation of Chile.

Many times people ask YIPL questions that we don't have the answer to. Questions dealing with what operators know and don't know, how phone traces are done, and general policies of the Bell's crack security gang led by the fearless Joe Doherty and his turtle Flash. We need people to answer questions like whether ESS will allow Blue & Black Boxes in the areas where they live. We need operators to tell us how they know when enough money is put into the phone to fill it up and it has to be dumped. Tell us anything and everything, don't sign your name, and tell us if you don't want us to print the letter. And if you have friends who work for the kompany, have them write us.

YIPL, it is said, has its better days. And although we're doing better in mailing now, the Post Office isn't. YIPL is mailed third class. Now first class goes slow, and even second class doesn't go much faster than osmosis, but we go at the very end of everything else, when we go at all. And there's no sense trying to make it any better because postmen steal your mail, our mail, and everyone else for that matter. So be patient. Allow 2 months for delivery of a newsletter, 1 month for back issues. And do not send cash or stamps through the mail, BECAUSE THE POST OFFICE STEALS IT. OUR MAIL IS CENSORED, RIPPED UP AND STOLEN, AND WE DO NOT RIP ANY OF YOU PEOPLE OFF. But if you send your \$2 and we don't get it, we figure you might have forgotten to stick it in the envelope or it might have been stolen. So we ask you to send it in check, or to check if your previous check was cashed. If you don't receive an issue, wait awhile and if the following issue comes, let us know and we'll send you what you missed.

Jean-Luc Godard tells it like it is!

BACK ISSUES-50¢

- 1- Extensions, conference switches
- 2- Blue Box Story and Abbie on ripoffs
- 3- Telecommand Story
- 4- Pay Phone Issue
- 5- Blue Box 1 Now obsolete
- 6- Blue Box 2
- 7- Tuning your organ
- 8- Credit card calls and 1972 code
- 9- Super duper project(See issue 11)
- 10-
- 11-Receive long distance calls Free
- 12-Blue Box Plans
- 13-International Calls
- 14-International Calls & AT&T Papers
- 15-1973 Credit Code, T Network

FACT SHEETS-25¢

How not to get caught making credit calls
Receiving long distance calls Free(Issue 11)
ANTI-BELL BUTTON- 50¢ 10/\$3.00
DESTRUCTORY ASSISTANCE- Free-Just send as much info as you want back in a stamped, self-addressed envelope.
Renew if your address has a 7 or less on it.
YIPL, Room 504, 152 W. 42 St., N. Y., N. Y. 10036
Mailing address only, don't send cash, PLEASE!

Dear YIPL,

The ringback numbers for LA vary like mad; however most of LA City uses 6105-6 (a few still use 115-6) but Hollywood (46) has it's own: 810-6.

You can get a high frequency tone by dialing 666-0002. What it's for I don't know.

My question is, how does one reach the verifying operator in LA from 663 (step) or 666 (tone) prefixes? Or better yet, how does one get into the special circuitry (without being detected by Central Control) that Verifying uses? -M. P. - LA, CA.

BULK RATE
U. S. POSTAGE
PAID
Permit No. 209
Great Neck, N. Y.