

CIRCULATION 500+

VOLUME 6
NOVEMBER '71



"As I told the tribunal at Nuremberg, I did not know that Hitler was a Nazi. For years I thought he worked for the phone company."

YIPL

YOUTH INTERNATIONAL PARTY LINE

STATEMENT OF PURPOSE

A few of you have written us asking if the Esquire article is factual. It is. However, some numbers have been changed to protect the innocent. For example, the loop numbers have been changed by the telephone company. And they may change others because of the article. But the box works, and the explanation the Esquire article gives is correct. Including when they say that calling information from a home phone and using a box is not wise. If you want to make a box like Gilbertson's, see letter's column.

Some readers have been having trouble using the blue box tones on pay phones. One reason is that an intercepting operator might hear the tones and suspecting a malfunction the tones and suspect a malfunction in the equipment (a common occurrence). She then cuts you off. You don't however, always run into an intercepting operator. If you dial long distance information (area code, 555-1212) or if you call late at night you usually have a better chance of getting through. Also realize that the fucked-up phone system cannot handle all the calls in the U.S. on certain nights. Friday, Saturday, Sunday, and Monday all suck. Expect to get a busy signal or operator recording on these nights.

A box works better on a home phone, but it is of course more dangerous that way. Next time your relatives invite you over, call from there and they'll never get hassled for one call, if the phone company even manages to trace it. An old couple won't be charged with using a box if you connect onto their wires in an apartment building basement. Always use an 800 number, like 800-243-1111 when calling on a non-pay phone. But please, don't call on your own line. That's asking for trouble.

Here we go again. The YIPL idea is limited if the research is left up to the staff. If our readers send in information that would be useful to other readers, and that means any information, related to phones, food, entertainment, transportation, or anything, then we would pretty soon have a centralized information pool that would be incredibly well-stocked with useful hints. We want this paper to be totally reader-supplied soon. So if you want to help with this project, all you have to do is send your idea to YIPL, Room 504, 152 W. 42 St., NY, NY. 10036. All useful ideas will be published. Announcements of new publications and events are also welcome. So get those cards and letters coming in.

THE FOLLOWING IS A RECENT COMPILATION OF CREDIT CARD CODES BY AREA. (1972)

- Atlanta 035
- Detroit 096,083
- Minneapolis 126
- Connecticut 020
- NYC 072,074,021
- North. N.J. 091,094
- Houston 151
- Los Angeles 182
- San Fran. 158
- Wash., D.C. 032
- Boston 001
- Chicago 097
- Philadelphia 041
- Pittsburgh 030

Nixon's law firm- 337 0042 023H

LETTERS TO THE READERS

Dear Youth:
 Hope you enjoyed the article in Esquire. Technical details for the small machine will follow in either the Realist or Sun Dance.
 -Al Gilbertson
 --And in YIPL, of course.-Ed.

Dear YIPL:
 Here's another tip for ripping off Bell. Suppose you open up a joint called Dope Specialties, and you want the business phone listed under that name. Upon checking with local business office you learn that they want to rip you off for a 25 dollar deposit plus 12 dollars a month.
 Do this: first have the phone listed as a personal phone-8 bucks a month. Then write the pigsness office and say you have a foreign student from Afghanistan living with you for a year and you want an additional listing for him. (They cost 50¢ monthly). His name is specialties dope, and lo and behold the telephone listing comes out last name first as Dope Specialties 102 dollars a year instead of 169. Another idea; rip off a repairman's handset or get a friend to do it.

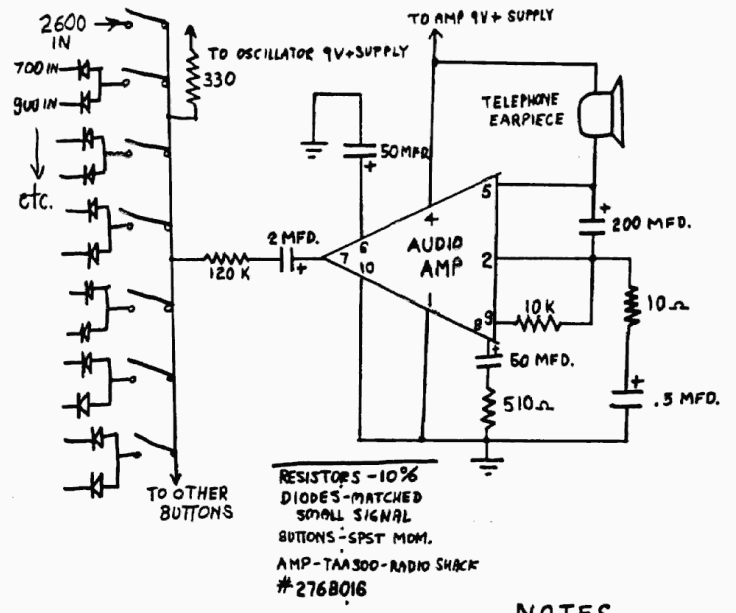
You can hook into anyone's phone terminals on the outside of their house, or apartment building and dial away. You can also use them on bare terminals which are in most outside phone booths. You can only dial locally or get an operator this way, but place a long distance call and when the operator asks for the money drop it into the phone and let her hear the dings (only works on old style ones) cause you can get the money back by pushing the coin return. If you are really cool, carry the handset when you travel and just climb any telephone pole and connect in and dial away.
 By the way, stay cool on the blue boxes, they are starting to crack down and many phreaks have been busted.
 Another idea-it's time for new telephone books now. Check into working to help deliver them. At the distribution site(a boxcar on a railroad station) someone is supposed to check everyone who takes books, but no one does. A VW full of books gets \$10 here at the Junk Company for paper salvage. Last year I knew

two dudes who got 34 van loads in 2 1/2 d work. That's an easy 340 dollars. Best to make sure you got a dishonest junk man-most of them are though. -T.M., Arlington, Va.

Dear YIPL,
 Just got your newsletter today, far fucking out. I hope you keep up the good work. A good way to fuck up a pay phone is as follows: Take the pin off the back of a YIPPIE! button and turn the dial all the way around, stick the pin into the little hole (see arrow), press down hard on the pin and turn the dial clockwise, and the dial comes right off. YIPPIE! C.T., N. Kingstown, R.I.

Dear YIPL,
 Here's a supplement to that pay phone dial ripoff. Heat the pin point for about 3-5 seconds with a lighter or match; it will make it simpler to push thru the hole. And instead of removing the pin from the back of the button simply bend it up and use the button as a handle. And when you get the dial off put all kinds of revolutionary slogans on the paper number disc or make up your own. Here's an idea for all the beginning YIPL. Check the obituaries in the local papers for dead single people, then find their phone number, and call like crazy giving the deceased's phone number to the operator. Make sure the stiff doesn't have a family. They have enough to worry about without being bugged by the phone company. If a person dies after the phone bills come out you have a full month before the company catches on. Fuck the System. C.T., N. Kingstown, R.I.

-Good ideas. Also put working credit card numbers on the dial paper to help out people who visit that booth. You might also want to write YIPL's address down.



NOTES

This mixer-amplifier uses 24 diodes to produce 12 separate tone pairs without mixing them at their source. Each diode is silicon, low current, and the pair should be matched if possible. A single pure tone needs no diodes, of course.
 A telephone earpiece is a perfect, low cost speaker for this unit, and has the added advantage of coupling tightly with a telephone mouthpiece if you want to play this instrument to your friends, over the phone.
 A 50K ohm trimmer tunes each oscillator. All parts in this project are 10% or better tolerance, but the capacitors should be drift-free types (mylar, epoxy, or mica), or else the oscillators will detune easily.
 Two batteries are recommended for ease of construction and stability of tone.

This simple mixer and amplifier can be used in the electronic organ described last issue. 1) Power to the speaker will be lost at low frequencies if a suitable enclosure is not used. A small metal or plastic box is fine. The box can, of course, contain the rest of the parts. Tones can be found for suitable notes in any sound engineering manual.

2) If played into the phone for any reason, the speaker should be lined with a circle of foam to form a good seal that is held tightly to the mouthpiece.

BECAUSE OF THE BRUTAL AND AGGRESSIVE WAR the United States government is conducting against Vietnam, the amount of the federal excise tax, \$....., has been deducted from my payment of this bill. I have opposed this war and protested against it in many ways. Now I must testify to my opposition by refusing to pay this tax.

The telephone excise tax was raised in April, 1966, only in order to help pay for the war in Vietnam. Paying the tax means helping to pay for outright atrocities, for the murder of innocent women and children. It means helping to pay for the indiscriminate bombing and napalming of defenseless villages. It means helping to finance the shipping of American boys half way around the world to die defending an unpopular, totalitarian and corrupt regime.

I am sorry for any inconvenience my tax refusal may cause your office and hope you will understand that this protest is not directed against the telephone company. I hope also that you will soon join me and the many others who have decided that it is now necessary to oppose the war by refusing to pay the telephone excise tax that helps finance it.

Sincerely in peace,

WAR TAX RESISTANCE

339 Lafayette Street, New York, NY 10012
Phone (212) 477-2970 or 777-5560

- I would like to join War Tax Resistance.
- I am not ready to join WTR, but please place me on your mailing list.
- Please send me more information about the following methods of war tax resistance:

- Please send me _____ additional copies of A Call To War Tax Resistance (6 for 25¢; 30 for \$1).
- I am already resisting war taxes (on a separate sheet please list the taxes you have not paid, since which year, the consequences to date, and any other pertinent information).
- You may use my name in publicizing WTR.
- I am interested in forming a WTR Center; please send me more information.

Enclosed is \$ _____ to support the work of WTR. Please send copies of this Call to the attached list of people.

Name _____
Address _____
_____ Zip _____
Telephone _____

Throughout the United States, young people by the hundreds of thousands are rebelling in disgust and anger against the squandering of resources on war, and neglect of the day-to-day practical needs of the people. They are not alone in seeing only massive social disruption and probably nuclear war as eventual consequences. They are risking their freedom, careers and often their lives to protest and resist what they see to be wrong.

We, as participants in War Tax Resistance, are resolved to confront our own complicity in war, waste and callousness. We resolve to end, to the extent we can, our cooperation with a federal tax program geared to death more than life.

BACK ISSUES

- 1-Credit card code, installing extensions and conference lines free.
- 2- The Blue Box story, dialogue with Abbie and Russel Baker.
- 3- The Telecommand.
- 4-Special Pay phone issue
- 5-Building an electric organ, Pt. 1, making credit card calls safely.

Back issues are 50¢ each. Let us know what number issue you want.

Save this paper or give it to a friend. Better yet, xerox the blue box article, or the organ plans(1 & 2) and pass them out at demonstrations. Bring YIPL info into your nearest head shop and visibly. Make sure your local underground newspaper knows about YIPL. Copies of YIPL make excellent party favors and double as napkins and rolling paper.

Write for a subscription to YIPL, Room 504, 152 W. 42 St., NY, NY, 10036. Send us \$4.00, more if you can, less if you can't.

DON'T FORGET YOUR RIP CORD.

① COVER STAMP WITH TAPE, STICKY PART UP.

② COVER TAPE WITH TAPE, STICKY PART DOWN.

③ MAIL TO YIPL.

↑ THIS IS ONLY MEANT AS AN EXPOSÉ. DO NOT DO THIS, IT IS ILLEGAL, BECAUSE IT IS FREE.