

END THE MISUSE OF THE ⚡ NUMBER



And that no man might buy or sell, save that he had the mark, or the name of the beast, or the number of his name. Revelations 13:17

We are printing the following article at my request. I haven't had time to study his plan yet and can't comment on it, but 1984 is only eight, (8), count 'em EIGHT, years away. We must use any and all methods if we are going to avoid it. "Eternal vigilance is the price of liberty" The author informed me that he has had virtually NO response - none from "public interest" groups, media, not even from the counterculture! "If you're not part of the solution, you're part of the problem" Which are YOU? He's probably as busy as we are, so don't complain to us if you don't get an immediate reply.
Mr. Phelps

APRIL 1976 No. 34

OPEN SESAME!

by

TOM EDISON

The Social Security Number should not be used for: Taxpayer ID, Passport applications, Military ID, Credit cards, Insurance, Vehicle registration and drivers' licenses, bank ID, arrest records. All but one of these are FORCED upon you today. You cannot prevent the Secret Intelligence Services from utilizing EVERY ONE of these sources. This privileged information can and WILL be used criminally. In the Middle Ages clerics used confessions to build personal fortunes by blackmailing their confidees. Are you ready to fight back?

A new ID will not protect you. It cannot, so long as you permit the "Universal Identifier" to be forced upon you. This applies to forged documents, and any kind of system, except the one which belongs to the government. Your best lie lies in multiple ID numbers.

The central government has an acknowledged bureau for the issuance of false ID. New ID for endangered persons (defectors, blown narcs) must withstand investigation and must include birth certificates guaranteed genuine. In some cases, the Justice Dept's Witness Relocation Program provides new SS numbers and driver's licenses, but not birth certificates or passports for Mafia witnesses (see NY Magazine, Jan 19, 1976, The Alias Program). A private service that offers a new ID to you bases its whole documentary package on this government-guaranteed birth certificate. But you are still a ward of the government. You can take your chances with various types of birth certificates, but in the long run, you have no chance with a single identifying number. Such a number is vastly superior to other kinds surveillance because of computers. That is why your safety, privacy, and freedom lie in multiple ID numbers.

To bring about a system of multiple identification numbers, there must be an action. We've found it. There are 80 million employed persons who are unlikely to participate. Most do not recognize the danger, let alone have the courage to act. Add the SS recipients and you have perhaps 140 million SS numbers outstanding. These fixed numbers make it easy for any surveillance bureau to ferret out false or self-assumed numbers. Acting as individuals, we can have no effect. A plan is needed that will force the powerful bureaucracies to scuttle the single number and issue in its place new sets of numbers distinctly and separately applied to each of the uses listed above.

There IS a straightforward, legal plan which can accomplish the job. Are you interested? Write: AEA, Lock Box 183, Ringoes, NJ 08551. Tell 'em TAP sent you.

In my article "Fortress Fun" in the Nov 75 TAP I explained how to use a Fortress as an extension fone. All that was required was a power supply capable of producing 50 volts at 41 ma to operate the coin return relay. While Pa Bell uses voltages ranging from 100 to 135 volts because they have to overcome various line resistances only 50 volts is actually needed to operate the coin return relay. All of you smart shoppers who "let your fingers do the liberating" at the corner fone booth are going to have to perform some electrical or mechanical maintenance on it sooner or later, probably sooner due to the fact that Pa Bell is a real cheap bastard and uses shitty parts manufactured by its own captive Western Electric. The method for opening the coin box was described by Mr. Phelps in his excellent article "Telephone Locks" in the Nov 75 TAP. The method advocated by Alexander Mundy in the Jan 76 TAP while accurate nevertheless requires the use of a large sledge hammer and a very strong knock out punch and is very difficult even with the use of these tools. As the man says on the TV commercial "There's gotta be a better way!" If you know of one, let us know too!

The opening of the upper housing is much easier, probably because there's less of a demand for components than for money. The only tools that are needed are a hammer, a chisel, an electric drill, and an assortment of bits. Mark out a rectangle 1-1/2" x 2" around the housing lock and drill this rectangle out by first using an 1/8" drill followed by a 1/4" drill. Be neat! (SEE FIG. 1) If you did not drill away all of the metal between some of the holes use the chisel to cut through. Remove the cut out exposing the whole lock. Take the chisel and hammer and with a few well placed wacks the lock cover will come off exposing the tumblers. Simply lift them out one at a time until there is nothing in the frame but the slide bolt. Just slide it out! You have now removed everything but the lock frame. In order to remove this you must first unlock the double slide bolts that hold the front housing to the rear housing. Linemen have a 719A tool for this purpose. Share a joint with him and he might let you "borrow" it. If you are up tight about asking to borrow "official phone company equipment" you'll just have to make your own 719A tool. It's no big deal! Take a 2-1/2" nail, cut off the point, and bend it as shown in FIG. 2. Insert the small right angle bend into the slot on the opposite side from the lock and twist using a pair of pliers for leverage. You should hear a loud ka-chunk as the boltwork slides down and then OPEN SESAME!!!

Continued on next page, of course

© Youth Hot Line Reports, Inc. 1976 - Do NOT make checks out to Youth Hot Line Reports, PLEASE! Movement groups may reprint without permission with TAP's address given with all credits. Please send us a copy of reprinted work. WARNING: We will prosecute copyright violators.

All of the treasures of the Fortresses are yours! Carefully lift off the front housing. There is a cord that connects the front housing dial plate to the rear housing circuits. It is connected to an 11 pin plug with a round handle. Pull it out straight. Don't worry pulling it back incorrectly because it's keyed to only fit one way. This now separates the two halves of the Fortress. The dial mechanism is held in place by 4 screws and is easily removed. Next remove the sliding boltwork that's next to the lock frame. It is attached by 3 bolts. Once this is removed use a 3/16" Hex key and remove the 4 set screws that hold the lock frame in place. With your rectangular cut out where the lock housing frame use to be you can insert a screwdriver into the hole and engage the sliding boltwork. Pushing it up locks the fortress and pushing it down unlocks it. You may now retire your #12A tool or give it to a friend who has a need for just such a handy tool. Let us proceed with the disassembly.

There are three main sections to the rear housing: coin chute & totalizer; ringer network & Red Box; and coin hopper & relay. All of these sections come apart very easily for maintenance but you must take them out in the correct order. The first section to remove is the coin chute & totalizer. It is held in place by a spring clip located directly over the coin slot. Push the clip up with your finger and then press back on the spring and the whole section slides forward. There is another 11 pin plug connecting the totalizer to the ringer network located below and to the left of the first 11 pin plug socket. Pull this polarized plug out the same way you did the first one. The coin chute is a fascinating mechanism to play with and is invaluable for testing your home made slugs. If your slugs come out the bottom of the totalizer they're correct weight and size but if they come out the coin return chute you'd better sharpen your cutters and recalibrate your micro-meater. There's nothing as rewarding as a job well done!

The next section to remove is the ringer network & Red Box. This is held in place by one large screw located beneath the first plug socket but before you unscrew it you should remove the three fine wires that are attached to this section. There are 6 screw terminals on TB1 located between the network and Red Box. The 3 screws on the left side are marked R, T, & G. The red Ring lead goes to terminal R, the green Tip lead goes to terminal T, and the yellow ground lead goes to terminal G. The black wire is usually not used. Once these three leads have been removed you may now loosen the large screw. There is a tongue projection located behind the ringer network that must slip down first. Then pull the whole section straight out carefully. All Red Boxes manufactured by Pa. Bell after Nov 74 produce the new MF tones. You can tell the new ones by their pink plastic housing (Bell didn't have the bells to use Red plastic!) and by the two screws located on the outside of the box housing. With the jumper between the screws removed the box produces the new MF tones but with the jumper connected the box produces only the single 2,200 Hz tone. You home experimenters might want to compare the tone of your home "organ" to Bell's Red Box for purely musical reasons, of course.

This leaves only the coin hopper & relay for removal. First take the plastic protection cover off the relay by pulling it straight up. This will expose the relay contacts. All coins and acceptable slugs go into the hopper where they remain until they are either deposited or returned to you. This is accomplished by the polarity of the voltage applied to this relay. There are two wires connected to this relay - a yellow wire that goes to an unmarked screw terminal and a black wire that goes to terminal #3. A positive 50 volts on the yellow lead returns the coins or slugs to you. A negative 50 volts on this case to Pa. Bell. The coin hopper and relay are held in place by two small screws located on the bottom of it. In order to get at these screws you must have the coin box removed. To remove the coin box use the same technique you used to open the main housing or use one of the methods advocated by Mr. Phelps or Alexander Murdy. With the coin box removed you can now see the two small screws holding the coin hopper & relay. You will need a real small screwdriver or an off-set screwdriver to remove these screws because you have to work inside the coin box opening which is only about 5" high.

With the removal of the coin hopper & relay you have successfully disassembled the Fortress. For the novice fore break I would recommend that you go no further. Remember that you've got to be able to put this whole damn thing back together so that it works and you do have a hell of a lot of parts laying in the floor. For the more experienced fore break may I suggest a major operation on the totalizer to master its operation. And finally for those into electronics may I suggest the construction of a power supply that's compact enough to fit into the coin box housing for operating the coin return relay. A schematic for such a power supply will be in a future article.

And for those home experimenters who are getting a hernia trying to unscrew the mouth & earpieces from the Fortress receiver let me remind you that Pa. Bell cements them on! To remove them use a large wrench and a vise. Put a piece of leather or some other suitable protection on the jaws to prevent scratching up the receiver. We wouldn't want to damage any Bell Telephone property now would we?

To reassemble the Fortress "simply" reverse the disassembly steps. First replace the coin hopper & relay and reconnect the yellow & black leads. Then replace the ringer network & Red Box and reconnect the Ring, Tip, & Ground wires to terminals R, T, & G. Then replace the coin chute & totalizer and reconnect the dial plate to the front housing. Replug the two 11 pin plugs back into their correct sockets and then slide the front dial housing onto the rear housing. Insert a screwdriver into your newly made rectangular hole, engage the sliding boltwork, and push up. CLOSE SESAME!!!

For more information consult the Yellow Pages under "Monopoly". Or see your friendly neighborhood fireman, preferably the one who let you "borrow" his #12A tool for a few licks, and maybe, if you slip him a few bucks, he'll "accidentally" loose" one copy of Bell's COIN SERVICE MANUAL off the back of his truck.

Or write to Tom Edison c/o TAP and I'll try to answer your questions. This month's article is dedicated to the Almerst Anarchists: Scott, Dave, Dan, Brian, Tim, Don, Carlos, & Nina.

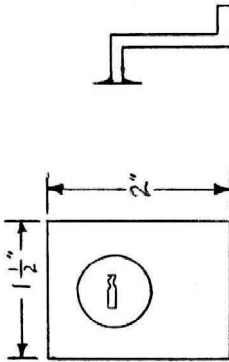


FIG. 1.

REAL GENUINE AD

Original Esquire Magazine with famous secrets of the Little Blue Box article is available postpaid for five bucks from Enterprises, 173P Brooks, Fort Walton Beach, FL 32248

Some people may prefer to read and/or photocopy the article at their library, if it hasn't been ripped out (now you know how someone else feels, when you've ripped something out, huh?). Others may regard the price as a "ripoff". But...it's a free market; nobody's FORCING you to buy it!

Back Issues are \$4 each, \$12 each if you prefer a full set (numbers 1-30). See previous issues for list of feature articles. All orders - US bills only. \$4.00 shipping and handling charge. Please make checks payable to Enterprises. 30¢ P. mail.

REPRINTS: If you wish to reprint any of the articles in this magazine, please contact the author. If you wish to reprint any of the articles in this magazine, please contact the author. If you wish to reprint any of the articles in this magazine, please contact the author.

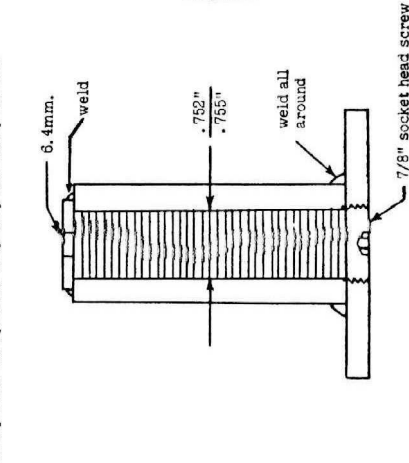
TAP Patent Office

1
FONE FÜCKER
Phelps, c/o TAP office, and A Swiss Banker, Gnome
trich. Filed Feb. 30, 1976 4 Claims

This invention relates to an economical method of producing dime sized washers from easily obtainable copper portions of Lincoln (also known as pennies). The invention provides a method of obtaining justice for the considerable money swallowed by defective phones.

As you may know, the diameter of the coin, not its weight, is what matters in Fortresses phones. Individual Fortresses may vary slightly, but generally will accept a "dime" of .685 - .710" diameter. This is why a #14 brass washer, which is .685" diameter, will not work unless you spit on it. Foreign coins of the proper specifications can be difficult to obtain, and the manufacture of conventional slugs requires a punch press and a source of expensive brass sheet. Conventional methods of altering pennies such as filing, grinding, soaking in acid, etc. are slow. My method greatly increases the ease and rate of production.

A drill press and small lathe are ideal, but an electric drill and Unimat bench lathe will suffice. In the first step, a hole is drilled in the center of the penny. Using a jig (made by a friendly machinist if you aren't able to) up to about 40 can be drilled at a time. If a #2 (.221") drill is used, the finished product will be almost perfect in weight. However, high quality socket head ("Allen") screws which are necessary for Step 2, are not available in this size (#12). Therefore a 1/4" drill bit and screw are used. A 6.4mm drill (.252") is preferable to allow clearance. The pennies are stacked on a long 1/4" screw with a thick washer between each, and screwed onto the plug mounted in the lathe. They are then turned down to .703" (diameter) ± .002. The plus and minus tolerance depends on your personal requirements. Using a "threading" tool will permit the operator to quickly and easily remove



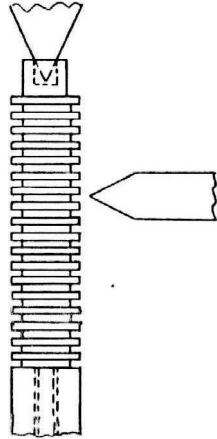
most of the burr. The remaining burr can be removed with a file or in a gemstone tumbler. Do not waste the scrap copper chips. They are recyclable. Sell them for an additional profit.

Production rates of 200 - 300 per hour appear reasonable. This could be an ideal "cottage industry" for anyone so inclined. Anyone is free to manufacture the Fone Fucker. Royalties should be contributed to Libertarian causes. What is claimed is:

1. The method of reducing the diameter of a disc by drilling, stacking, and turning.
2. The names Fone Fucker and Fuck-a-Fone.
3. The use of these discs in dishonest phones and vending machines.
4. The use of a slightly larger (.705 - .712") disc in parking meters. Do not use in meters in which the last coin deposited remains visible. Meters tend to be temperamental. Knurling the outer edge may help. Experiment with Scotch tape on both sides of the washer.

WARNING!

It is illegal to destroy or alter US money, so be sure to use only Canadian pennies. Extradition is not required for anything but capital offenses (i.e. murder). Although it is illegal for citizens to mess with money, Big Brother considers it quite all right to stamp out worthless copper-nickel sandwiches (instead of silver coins) and to print fiat paper dollars which are backed, no longer by gold and silver, but only by faith in Big Brother. Thus, in case you haven't realized it, is the cause of inflation. Debasing the currency has happened to every civilization when the politicians got control and has always preceded its collapse. Demand gold or silver! The bastards can't print that. To learn more about economics and inflation and how to survive it, read anti-American-Establishment authors like Hayek, Hazlett, Robbins, and von Mises.



INVENTORS

MR. PHELPS, US Representative
A SWISS BANKER, Gnome of Zurich
By *J. Alfred Lapack*
Steister-at-Law

ODDS & ENDS

by
TOM EDISON

There has been no new reader response to the TAP T shirts since the last issue. It's obvious that if there is no more interest shown there will be NO TAP T shirts!

Since Mr. Phelps has started to plug some of the books that he digs I feel justified in doing the same. This month let me recommend I'M SORRY, BUT THE MOMOPOLY YOU HAVE REACHED IS NOT IN SERVICE by K. Aubrey Stone available for \$1.50 + 10¢ handling from Ballantine Books, Dept. CS, 36 West 20th Street, New York, N. Y. 10003. If you loved MONOPOLY you'll flip over this book! After reading it you'll wonder why the public has stood the fone company's shit for so long! Here's a quote from the book on the "effectiveness" of the FCC to regulate Pa Bell:

"What results from this weird paradox is a neglect of the serious issues confronting the Commission in favor of trivial ones, which the Commission pursues with great relish and fanfare so that it can save face with announcements of minor triumphs. For instance, while complaining in its 1966 annual report that it lacked the wherewithal to police the activities of broadcasters and communications utilities, it still managed, the report said, to "close down 40 unlicensed broadcast operations, mostly by juveniles," and to investigate "over 500 cases of troublesome radiations from faulty garage door openers," as well as to track down a group of shrimp fishermen using foul language over their marine radios. Which is all very commendable if the commissioners' desks are clean of weightier matters such as hundreds of millions of dollars in phone company overcharges..."

And finally, as I promised in my article last issue, here are all the fone off-hook currents that I have received to date. As for how accurate they are, let the buyer beware! If you recall I originally asked for off-hook currents because some readers wrote in saying that the #48 lamp used in the SNOOP LITE (issue #29) was not working. I then suggested that if readers sent in their off-hook currents I would list them all in a chart so that they could "liberate" a lamp that would work with the off-hook current in their locality. Check the off-hook current listed for your area and then look up a lamp with matching operating current in any electronics supply catalog. Good luck!

OFF-HOOK CURRENTS

Benicia, Calif. 60 ma	Metuchen, N. J. 40 ma
Boston, Mass. 60 ma	Milwaukee, Wisc. 80 ma
Chicago, Ill. 30 ma	Mobile, Ala. 30 ma
Detroit, Mich. 27 ma	Perth Amboy, N. J. 45 ma
Erie, Penn. 65 ma	Rochester, N. Y. 35 ma
Jamaica, N. Y. 47 ma	Stockton, Calif. 50 ma
Los Angeles, Calif. 23 ma	Sunnyvale, Calif. 30 ma

ASK Mr. PHELPS

The question and answer this month is about a mission in progress. To reveal more at this time would jeopardize its success. Sorry.

GNU GNU GNU GNU GNU GNU GNU GNU GNU

The typos, missing letters and words which appear all too regularly in TAP are our fault. Our printer does a good job with what we send him, but nobody's perfect. In my review of The Big Brother Game, \$7.95 from Gnu Publishing, Box 6820, San Francisco, CA 94101, somewhere in the printing process Gnu became Cru. Sorry about that.

MOVIES ARE BETTER THAN EVER

Considering that most movies appear on TV within a couple of years, I rarely go to theatres, except occasionally to see quality porn. But a recent double feature at my favorite \$1 ghetto theatre was irresistible.

The Conversation as you probably know, is about bugging. All about bugging. Shotgun and spike mikes, infinity transmitters, noise filters, and a big ETC. are all demonstrated. In the end the bugger becomes the buggee. Despite his best efforts, he is unable to locate the bug in his apartment. Your mission: determine the method.

Why didn't somebody tell us about the delightful fone freaking in 3 Days of the Condor? Robert Redford is a good guy (of course) CIA agent. After his section is "hit", he (and the viewer) don't know WHO he can trust. The techniques he uses to survive are an education. I was pleased that the silencers were much more authentic than the toys one sees on TV. The CIA's justification for its activities was disturbingly reasonable. "When we run out of petroleum, and the people are cold and hungry, they won't care about our methods, they'll just say "GET IT!"

And what are YOU doing, dear reader, to reduce YOUR dependence on the collapsing System? I don't mean cheating the utility and phone companies; I mean learning to get along without them. Get into Ham and CB radio and other methods of communication. Learn about alternate sources of power. Remember when the lights went out in Fun City in 1965? It won't do you any good to jump the meter if there's no juice flowing through it.

The Day of the Jackal has appeared of TV. Don't miss it next time. Better yet - read the book. The phony ID bit is carefully explained. Get yourself some while there's time.

Published for informational purposes only by Youth Hot Line Reports, Inc.

Some Save 13 Cents By Using an Eraser

By a WALL STREET JOURNAL Staff Reporter

The Postal Service is annoyed about one way that people have found to save postage: erasing the cancellation marks off stamps and illegally using the stamps again.

It seems that the agency has been putting phosphorus on stamps so that special "facer-canceler" machines can locate the stamp and properly position the letter for cancellation. But the inks used in the machines "haven't been aggressive enough to penetrate the phosphorus on some stamps," a spokesman says. "We're putting into operation a new kind of ink that should pretty well take care of the problem."

"Erasing," she adds, "didn't work on every stamp." She declines to list the troublesome stamps. "If we told you which ones it works on," she says, "everybody would be out there erasing."

From The Wall Street Journal

March 8, 1976

34

Address all mail and checks to

TAP, ROOM 504, 152 W. 42 ST., NY 10036

BULK RATE U. S. POSTAGE PAID Permit No. 209 Great Neck, N. Y.
