



## ADVANCED BLUE BOX

A lack of staff has prevented the newsletter from being published as often as we would have liked. However, we are attempting to remedy this situation by opening a New York office where prospective volunteers can help to put out the newsletter. In addition, readers can come in to ask questions, donate articles and information, obtain subscriptions and back issues without using the mails, and meet other readers. Due to the sensitive nature of our publication, we must insist that no materials of an illegal nature accompany you when you visit us. Until further notice the office will only be open at the hours and days listed below.

Address: 1201 Broadway (Between 28th and 29th Street)  
Room 608

Many readers have difficulty obtaining parts for our projects in TAP. Most parts can be obtained from mail-order companies such as those below. To read their catalogs is an education in itself.

- Babylon Electronics, P. O. Box J, Carmichael, Ca. 95608
- B&F Enterprises, P. O. Box 44, Hathorne, Mass. 01937 (617)532-2323
- Burstein-Applebee, 3199 Mercier, Kansas City, Mo. 64111 (816) 531-5614
- Digi-Key, P. O. Box 126, Thief River Falls, Minn. 56701
- H. J. Knapp Co., 3174 8th Ave., S.W., Largo, Fla. 33540 (813)584-0034
- Lafayette Electronics, 111 Jericho Tpke., Syosset, N. Y. 11791 (516)921-7700
- PolyPaks, P. O. Box 942, South Lynnfield, Mass. 01940 (617) 245-3829
- Solid State Systems, P. O. Box 773, Columbia, Mo. 65201 (314)443-3673

TAP has courses on Basic Electricity that are easily understood, no matter how little knowledge of Electronics you already have. You learn by building useful projects and experiments such as those in TAP. In fact, you should be able to build any project in TAP after 6 courses, which are 50¢ each (free if you can't afford it). 4 courses are available now, A-Basic Electricity, B-Alternating current, C-Basic Phones, and D-Amplifiers, with more coming soon. We urge you to send for them if you want a quick education in electronics.

### YOU CAN HELP TAP

If you can contribute any information that you think other readers would be interested in, please do so. TAP readers are the main source of our information. You can help by meeting employees of phone and power companies, alarm places, etc., and asking them about questions other people raise in the newsletter. Be sure to get details and maintain contact in case you have additional questions. Most employees of those companies would be glad to screw their boss and they'd probably be interested in TAP, too. We hope that a lot of you will gather information so we know what the scene is around the country and Canada.

We also need info on the following:

Automatic Blue Boxes-With info about where they're necessary.

Vending Machines-Locks, getting stuff, etc.

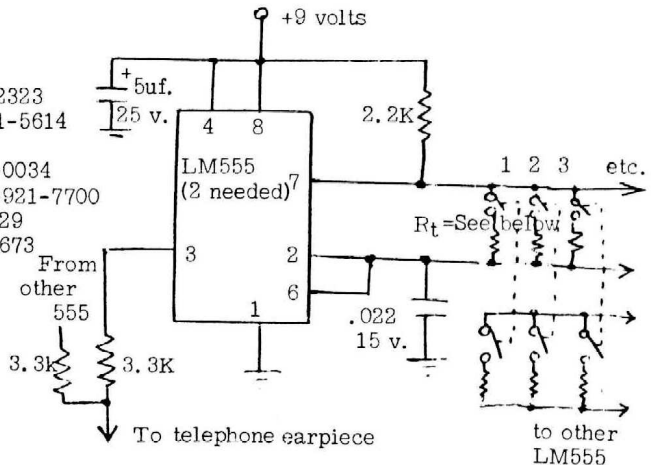
Locks-New code books, picking Medeco, Sargent Keso, tricks, etc.

Radio-Setting up your own Station, Schematics, legal stuff, jammers, etc.

Burglar Alarms-Holmes and other central station alarms, bypassing, electronic keys and picking, etc.

Also, Magnets, Overseas Phreaking, and Chemistry.

This circuit was sent in by a reader and we've checked it out to find that it's beautifully stable with voltage and temperature (assuming the capacitor .022 is stable). The 8038 circuit in issue #26 is very convenient but it requires a voltage regulator IC. This circuit does not. It uses a 555 timer, which, used in the free-running mode generates a square wave, which is ok for two reasons: First, the phone line, earpiece and telephone mouthpiece you're using can't reproduce a square wave so it's shaped somewhat into a sine wave, and secondly this circuit makes up for it's wave-shape by its excellent frequency stability. It needs double-pole buttons, admittedly a hassle to obtain, however it of course needs no diode matrix. Current drain is under 20 ma. for two 555s.



Hz	Approximate value for $R_t$ (Use trimmers)	
700	42k	For example: 700 Hz- use 50k trimmer pot, 10 or 20 turns, or else use a single turn 5k or 10k pot in series with a resistor, so that the center of the pot(1/2 the value) plus the resistor equals 42k. Thus a 10k pot at its center is 5k, plus 37k =42k.
900	35k	
1100	28k	
1300	24k	
1500	22k	
1700	18k	
2600	12k	

Build two duplicate circuits, connect outputs, ground, and power. Can drive a telephone earpiece strongly. Remove the varistor dual-diode on the earpiece before using.

© Youth Hot Line Reports, Inc. 1975

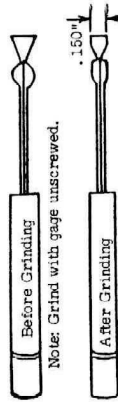
Movement groups may reprint without permission with TAP's address included, and please send us a copy of reprinted work. WARNING: We will prosecute violators.

## Letters From Readers

Dear TAP,  
A modified Barrett #29B small hole gage - available from most machinist supply companies - is an effective key for the rollersmith lock (See issue #26 and #23). Accept no substitutes - General makes a similar tool but it is of lower quality and may require a special order. The gage is hardened steel, so you'll have to use a small bench grinder, not a file, to reduce the diameter of the ball halves and come to about .150" (That's one hundred and fifty-thousandths of an inch) unswaged. Finish grinding by hand on a bench stone until it just enters the hole. Insert all the way, tighten, and retract it, and Voila! The lock is open.

The gage costs about \$7 and can be sold at a nice profit. Be sure to grind the manufacturer's name and number off the gage to insure its anonymity.

Mr. Phelps  
Advisable Missions Force



Dear TAP,  
A good way to nail those anti-plate manufacturers is to go to a pay phone and call one up. It is not necessary to pay, instead, simply call the operator and tell her that you just dialed a wrong number. In most cases, if you are connecting, she will connect you. When the company answers, have nice long talk about how good you think their service is to protect life, limb and property. Sound sincere and stay on for as long as possible or until an operator comes on. Almost always, after using the wrong number' approach, the operator will forget about you, and by the time she remembers, you will already have run up a huge bill (staying on for an hour across country will come to over \$20). When you think you must, hang up, making sure you have left no clue to your identity. The operator will call back, and ask you to deposit an amount equal to GM's

BACK ISSUES - 50¢ each  
1-Extensions Conference Switches  
2-Blue Box Story and Abbie on Ripoffs  
3-Telecomm Story  
4-Pay Phone Issue  
5-Blue Box 1  
6-Blue Box 2  
7-Tuning your Organ  
8-Credit Card Calls/1972 Code  
9-Super Duplex Project (Issue 11)  
10- Same as 9 (obsolete)  
11- Receiving long distance calls free  
12-Blue Box Plans  
13-International calls/AT&T papers  
14-International calls/AT&T papers  
15-1973 Credit code/T network  
16-Red Box Plans  
17-Red Box/Line Relay  
18-Call Shopper  
19-Snoop Light  
20-Automatic Box  
21-Automatic Phone Tap  
22-Arisweroo  
23-Free Electricity  
24-Fraud Detectors/Index, 1974 Code  
25-New Blue Box/Free Gas  
26-Free Electricity  
27-Free Electricity  
28-Computer Bills

FACT SHEETS - 25¢ each  
1. Credit Card Calling Hints  
2. Receiving Long Distance Calls Free (Same as Issue 11 for General Telephone Co. Customers instead of Bell Telephone Co.)  
Displayed Red Box  
2800 Whistle Reflector - 15¢ each  
Dual tone oscillator  
Anti-Bell Baton-50¢/10/\$3  
BOOKS  
Seal This Book-\$2.25  
Monopoly - \$.20  
DESTRUCTORY ASSISTANCE - Free-Send us info and a stamped, self-addressed envelope and topics you would like to trade info for. Send for our free list of destructive assistance topics.  
SUBSCRIPTION - US Bulk-\$2 (Approximately 10 Issues per year)  
Canada - \$3.50  
Foreign - \$4.50  
US First Class-Add \$1.50 (Total 3.50) (Envelope)

Send Check or Money order only to TAP  
Address: Room 504 152 W. 43rd St., N. Y. N. Y.  
(This is a Mail Drop only) 10003  
Each Course 50¢  
A-Basic Electricity C-Basic Phones  
B-Alternating Current D-Amplifiers

yearly sales. By this time, you will be long gone, so guess who jets stuck with the bill? That's right, the good old manufacturer!

## NEW JERSEY

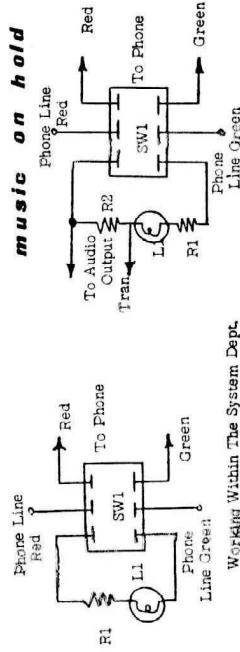
Dear TAP,  
Wisconsin Telephone Newsline is a pretty typical Telco newswire, except they have a means for phone phreaks. They always have the latest on outers across the country, as well as up-tight references to publications they think are out to subvert them. (414) 678-3511. Unfortunately, it is suspect and you get charged if calling from outside 414 area. The info is almost worth it.

Milwaukee Ring-back- 974, wait for tone, dial 6 and hang up. Loop suffix for 414 area is XXX-0010 E0011. They've been closed for a year but someone gets sloppy once in a while. There's a magazine called Amateur Radio 73. It's a ham magazine supposedly published in the Northeast and distributed by ham dealers. The June 1975 issue has an article entitled "Inside Ma Bell" which (according to Wis. Telco newswire) gives "precise technical details on blue box construction. I've searched for a copy but they were gone quick. You may have better luck in a library.  
Incidentally Pacific NW Bell is suing the magazine for \$100,000 for distributing it in their area! Freedom of the Press? Shut.

I "have heard" that some criminally insane persons buy coin folders made for coin collectors and use the quarter and dime size cardboard discs in these as slugs. Seems these cardboard discs work in the "slide-in" type coin acceptors used in Laundromats and on small vending machines. Apparently they even work in the "slide-in" acceptors that have magnets to reject metal slugs. Although these people have to hunt around for the "wood-grain" type folders with the cardboard discs still in them, that doesn't seem to deter them.  
INDIANA

Dear TAP,  
Shown below is a rotating disc flowmeter. This is the type used in gas pumps, fuel oil meters and to measure water used in your house. It is usually found under a round steel plate that says "water" which is located in your yard or in the street, etc. It is held together with 6 or 8 bolts around its circumference. When these bolts are removed

## hold lite



Working Within The System Dept.

You're reading TAP because you want to smash the State, right? Want to abolish monopolies, right? Believe you have the right to do whatever you want so long as you don't force or fraud against other in 'dual'. Would you believe there's a political party feels it... me way? It's called the Libertarian Party and has chapters in most 'states'. Many of the members may seem moderate to us bomb-throwing radicals, but they're the only game in town'. Headquarters are at 560 Kearny St., San Francisco, Ca. 94108. Tell them you read about them in TAP.

Thomas Jefferson

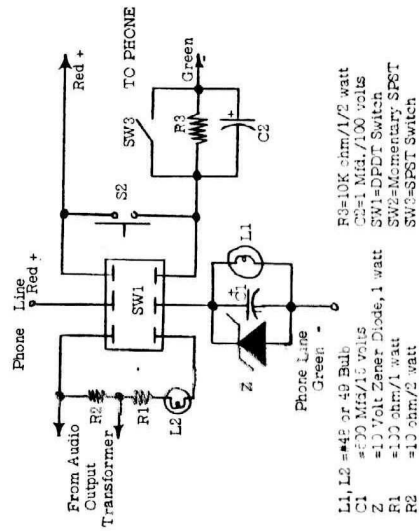
## CORRECTED SNOOP LITE

The Snoop Lite article in issue #19 listed incorrect values for the bulb and capacitor. The bulb is a #48 screw base or #49 bayonet base, both 2 volts and 80 ma. The capacitor is a 500 mfd. at 15 volts. The complete circuit operation is as follows: When the phone is on the hook 48 volts DC is across the red and green phone wires. Since the phone is drawing no current now, the snoop light (in series with the green negative line) does not light. Releasing is 30 volt AC (20 Hertz signal superimposed on the 48 volt phone line. The bulbs cold resistance is small, no appreciable voltage develops across it, so it remains unlit. When you pick up the bell is switched out of the circuit and a large surge current flows thru the line and bulb causing it to lite brightly. This large surge is caused by the low 100 ohm phone resistance being switched across the phone line. If you pick up during the ring the voltage is 48 plus 90 volts AC, and so this can be quite a surge. The capacitor opposes the voltage change and helps absorb the surge of current. The bulb will momentarily brighten if you pick up during a ring, so to increase bulb life only pick up between rings. If the bulb goes out while you're talking the phone will go dead. To prevent this a zener diode (5 to 10 volts, 1 watt) is added. When the bulb burns out 48 volts is across the zener and it conducts. The zener does not let the voltage across the capacitor exceed 10 volts so the capacitor is protected. Thus a 15v capacitor can be used, instead of 50V, saving space and money.

Remember, the snoop light is not a phone tap indicator, it only indicates that all extensions are hung up. It will not work on a Black Box call. If the snoop light is connected before a hold button it will also light up on hold. The hold resistor is 100 ohms 1 watt. If you sympathize want music on hold add a 10 ohm resistor (2 watts) in series with the resistor and bulb. Connect the audio output leads of a radio or stereo with T-transformer output to the 10 ohm resistor instead of the speaker normally goes to.

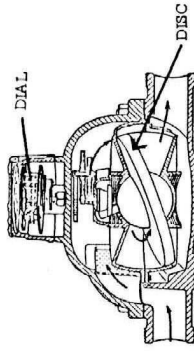
TAP is working on a snoop lite that will work with a Black Box. A schematic will be printed as soon as possible. Ideas are welcome. Also we need to know if the off-hook current in your area is different from 80 ma. as in New Jersey. A different bulb may be needed for different places.

## complete circuit



L1, L2 = #48 or #49 Bulb  
C1 = .500 Mfd./15 volts  
Z = 10 Volt Zener Diode, 1 watt  
R1 = 100 ohm/1 watt  
R2 = 10 ohm/2 watt  
R3 = 10K ohm/1/2 watt  
C2 = 1 Mfd./100 volts  
SW1 = DPDT Switch  
SW2 = Momentary SPST  
SW3 = SPST Switch

everything in the meter can be removed. This is a positive displacement meter which means for every cycle of revo- an of the disc a fixed amount of water is transferred registered on the dial. The fixed amount of water is trapped in a sealed fixed space and carried thru the meter by movement of the disc. Tell your readers that if it is illegal to do this but if you were to shave or grind off 1/8" off the outside circumference of the disc and then put it back in, a large amount of water will pass through without registering on the dial. This results in a large savings on water bills.

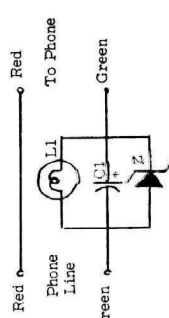


Sectional view of typical rotating piston meter.

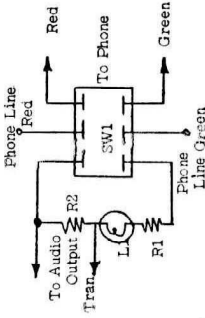
water bills. Remember that failure to put the disc back in will result in no water registering and the meter reader will get suspicious unless you tell him that you've stopped taking baths.

Please print my article cause I always wanted to get something published. Yours,  
BALTIMORE

## basic snoop lite



## music on hold



## Foreign Codes

Australia	61	Leeds	532	Lyons	78	Kowloon	3	Cape Town	
Adeleile	82	Wales (Cardiff)	222	Marseilles	91	Lamma	982	Durban	
Brisbaine	72	Sussex	4352	Menton	93	Ma Wan	986	East London	431
Camberra	62	Denmark	45	Monaco	93	New Territory	0	Johannesburg	11
Hobare	2	Aalborg	8	Monte Carlo	93	Sha Tin	61	Port Elizabeth	41
Melbourne	3	Arhus	6	Montpelier	67	Tai O	5985	Pretoria	12
Perth	92	Copenhagen	1	Nantes	40	Tsun Wan	040	Spain	34
Sydney	2	Esbjerg	5	Nice	93	Israel	972	Barcelona	3
Austria	43	Grenaa	6	Paris	1	Haifa	4	Bilboa	40
Graz	3122	Helsingor	3	Roubaix	20	Jerusalem	2	Cadiz	56
Innsbruk	5222	Herning	7	Rouen	35	Nazareth	65	Granada	58
Klagenfurt	4222	Horsens	5	St. Tropez	94	Tel Aviv	3	Madrid	1
Linz	7222	Kalundborg	3	Strasbourg	88	Italy	39	Malaga	52
Salzburg	6222	Kolding	5	Toulouse	61	Bologna	51	Palma De Mallorca	71
Vienna	222	Nordborg	44	Toulouse	61	Brescia	30	Ceuta	56
Belgium	32	Nyborg	9	Vouvray	47	Florence	(55)73	Seville	50(54)
Antwerp	03	Odense	9	Germany	49	Genoa	10	Toledo	25
Brussels	2	Randers	6	Berlin	311	Milan	2	Valencia	62(63)
Charleroi	7	Ringsted	3	Berlin Military	311+819	Japan	81	Sweden	46
Courtrai	56	Roskilde	3	Switchboard		Fukuoka	92	Gothenburg	31
Genk	11	Silkeborg	6	Ettlinburg	724	Hakone	46	Karlstad	54
Ghent	9	Skaelskor	3	Frankfurt	151	Kawasaki	44	Kristianstad	44
Leuven	16	Svendborg	9	Hamburg	411	Kobe	78	Lund	46
Liegz	4	Thyboron	7	Hanover	511	Kyoto	75	Stockholm	8
Lokeren	9	Vejele	5	Heidelberg	621	Mob	78	Uppsala	18
Mous	65	Viborg	6	Mannheim	621	Nagoya	52	Switzerland	41
Nienchen	15	France	33	Mannheim Mil.	621+730	Osaka	6	Berne	31
Namur	81	Amiens	22	Switchboard		Tachikawa	425	Geneva	22
Ostend	59	Antibes	93	Munich	811	(Mil. Switchboard)	42362	Interlaken	36
Turnhout	14	Azaylerideau	47	Nurnberg	911	Yokota Swbrd.	42552	Locarno	93
Velirens	87	Biarritz	59	Stuttgart	711	Tokyo	3	Lucerne	41
Walengem	56	Bordeaux	56	Greece	30	Yokohama	45	Montreux	21
Wavre (Waver)	10	Boulogne	21	Agrinion	641	(Mi. Swbrd.)	46251	St. Moritz	82
Zeebrugge	50	Brest	98	Athens	21	Netherlands	31	Zurich	1
British Isle	44	Calais	21	Corfou	661	Amsterdam	3490	Venezuela	58
Birmingham	21	Cannes	93	Delphi/Dhelphoi	265	Delft	15	Barquisimeto	51
Coventry	203	Cherbourg	33	Larissa	41	Gouda	1820	Caracas	2
Liverpool	51	Clermont Ferrand	73	Patrai	61	Haarlem	23	Maiquetta	31
London	01	Dieppe	35	Piraeus	21	The Hague	70	Maracaibo	61
Manchester	61	Dijon	80	Rodos	241	Rotterdam	10	Merida	74
Southampton	703	Dunkirk	20	Thessaloniki	31	Utrecht	30	Puerto la Cruz	81
N. I. Belfast	232	Grasse	93	Honk Kong	852	Norway	47	Puerto Ordaz	86
Scot. Edinburgh	31	Grenoble	76	Cheung Chow	981	Bergen	5	San Cristobal	76
Glasgow	41	Le Havre	35	Clear Water Bay	329	Oslo	2	Valencia	41
Prestwick	292	Lille	20	Fan Ding	090	South Africa	27	Valle de la Pascua	351
				Hong Kong	5				

Published for informational purposes only by Youth Hot Line Reports, Inc.

**TAP, ROOM 504, 152 W. 42 ST., N.Y., N.Y. 10036**

### Phone TAP

May 21, 1975 The Real Paper

While we're on the subject, we'd be remiss if we didn't pass along a Berkeley Barb report that phone phreaks in the maximum security prison at Wayside Honor Rancho in Los Angeles have been busted on charges of making long-distance calls using counterfeit credit card numbers. The inmates are accused of running up \$600 in calls. One prisoner had the temerity to charge all his calls to the Chino, California municipal court. Another inmate, according to sheriff deputies, used the phone to call Washington and talk personally to Supreme Court Justice William O. Douglas shortly before Douglas suffered his stroke. And a third inmate, according to police, was actually using the prison phone to talk to friends on the outside to plan robberies. The scheme was discovered when the inmate called a wrong number — that of a police lieutenant.

